

**PV372SS 35 cm Island
cooker hood
PV972GL 90 cm Glass
island cooker hood**

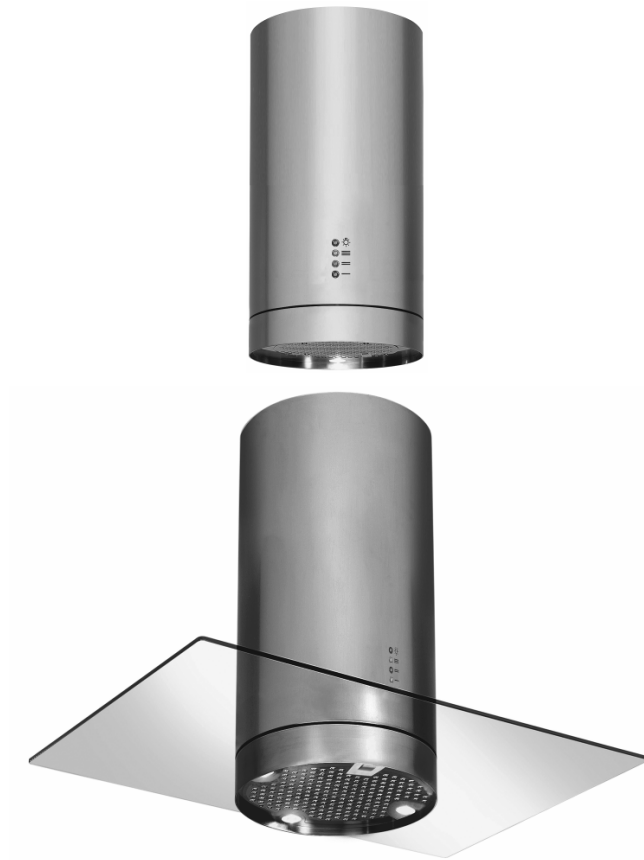
INSTRUCTION MANUAL



User Manual for your Baumatic

PV372SS 35 cm Island cooker hood

PV972GL 90 cm Glass island cooker hood



NOTE: This User Instruction Manual contains important information, including safety & installation points, which will enable you to get the most out of your appliance. Please keep it in a safe place so that it is easily available for future reference; for you or any person not familiar with the operation of the appliance.


Environmental note	4
IMPORTANT SAFETY INFORMATION	5 - 7
Specifications of your cooker hood	8 - 10
PV372SS	8
PV972GL	9
Optional extras (all models)	10
Using your Baumatic cooker hood	10 - 11
Before first use	10
To use your cooker hood	10 - 11
Cleaning your Baumatic cooker hood	11 - 12
The grease filter	12
Maintenance	12 - 17
Removing and cleaning the grease filter	12 - 13
Changing a light bulb	13 - 15
Fitting the carbon filter	16 - 17
Installation	17 - 27
Electrical connection	18
Before beginning installation	19
Positioning	20 - 21
Installing your cooker hood	21
Installing the glass canopy	22 - 24
Supplied installation components	24
Fixing the cooker hood to the ceiling	24 - 27
Completing the installation	28
Extraction mode or recirculation mode?	28
External ducting	28
Troubleshooting	29 - 30
Contact details	31

ENVIRONMENTAL NOTE

Note: Before discarding an old appliance, switch off and disconnect it from the power supply. Cut off and render any plug useless. Cut the cable off directly behind the appliance to prevent misuse. This should be undertaken by a competent person.

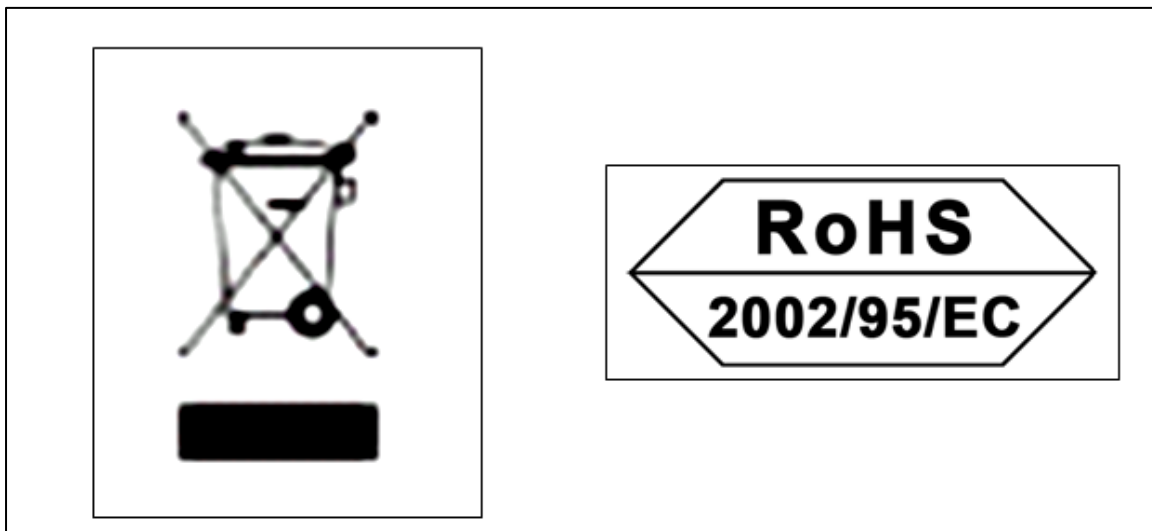
CONFORMITY TO W.E.E.E. DIRECTIVE

This appliance is marked according to the European directive 2002/96/EC on Waste electrical and Electronic Equipment (WEEE). By ensuring this product is disposed of correctly, you will help prevent potential negative consequences for the environment and human health, which could otherwise be caused by inappropriate waste handling of this product.

The symbol  on the product, or on the documents accompanying the product, indicates that this appliance may not be treated as household waste. Instead it shall be handed over to the applicable collection point for the recycling of electrical and electronic equipment.

Disposal must be carried out in accordance with local environmental regulations for waste disposal.

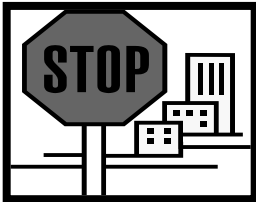
For more detailed information about treatment, recovery and recycling of this product, please contact your local city office, your household waste disposal service or the shop where you purchased the product.



IMPORTANT SAFETY INFORMATION



Your safety is of the utmost importance to Baumatic. Please make sure that you read this instruction booklet **before** attempting to install or use the appliance. If you are unsure of any of the information contained in this booklet, please contact the Baumatic Advice Line.



IMPORTANT: Any installation work must be carried out by a qualified electrician or competent person.

- The hood must be installed in accordance with the installation instructions and all measurements followed.
- If the cooker hood is installed for use above a gas appliance then the provision for ventilation must be in accordance with the Gas Safety Codes of Practice BS.6172, BS.5440 & BS.6891 (Natural Gas) and BS.5482 (LP Gas) 1994, the Gas Safety (Installation & Use) Regulations, the Building Regulations issued by the Department of the Environment, the Building Standards (Scotland) (Consolidated) Regulations issued by the Scottish Development Department.
- It is dangerous to alter the specifications or to modify this product. Do not tamper with it or attempt to modify the appliance in any way.
- When installing the hood, ensure that the following recommended distances are observed between the highest point on the hob top (including the burners) and the bottom of the cooker hood:

- **Electric cookers:** 700 mm
- **Gas cookers:** 700 mm
- **Coal/ oil cookers:** 800 mm



IMPORTANT: DO NOT SET YOUR COOKER HOOD LESS THAN 700mm ABOVE YOUR COOKER.

- When installed between adjoining wall cabinets, the cabinets must not overhang the hob.

- The edges of the cooker hood are sharp – be mindful of this as you handle your appliance, especially during installation and cleaning. **DO NOT CLEAN IN BEHIND THE GREASE FILTERS!**
- If the room where the cooker hood is to be used contains a fuel burning appliance such as a central heating boiler then its flue must be of the sealed or balanced flue type.
- If other types of flue or appliances are fitted, ensure that there is an adequate supply of air in the room.
- When the hood is being used in its extractor function, ensure that the ducting is fire retardant and that there are no bends sharper than 90 degrees as this will reduce the efficiency of the hood.
- Ensure the ducting for the extractor function has the same diameter as the outlet hole all the way through.
- Keep young children from using, playing with or tampering with the cooker hood. Older children and infirm persons should be supervised if they are using the cooker hood.



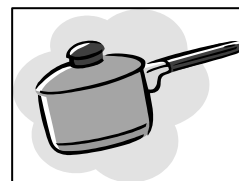
- Your cooker hood is for domestic use only.



- Please dispose of the packing material carefully – children are especially vulnerable to it.
- Dirty oil is an even greater fire risk.

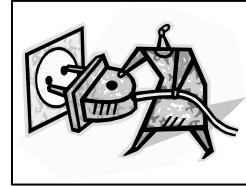


- Always put lids on pots and pans when cooking on a gas cooker.



- The manufacturer refuses to accept any responsibility for damages arising to the hood or it catching on fire, from a failure to observe the fire safety advice contained in this instruction booklet.

- Remember that when in extraction mode, your cooker hood is removing air from your room. Ensure that proper ventilation measures are being observed.
- **Note: Your cooker hood is designed to remove cooking odours from the room and not steam.**
- **Warning - Always ensure that the cooker hood has been disconnected from the power supply before carrying out any work on the hood, including replacing light bulbs.**



- Do not connect the ducting system of this appliance to any existing ventilation system which is being used for any other purpose.
- Do not install above a cooker with a high level grill.
- Never leave frying pans unattended during use as overheated fats and oils might catch fire.



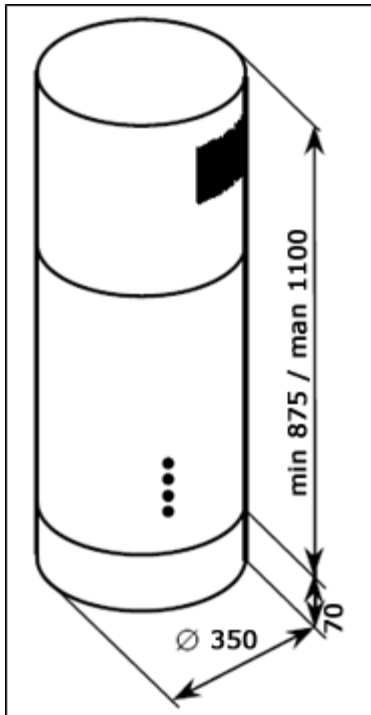
- The lights on this appliance should only be used during operation of the cooker hood. They should not be left on permanently and used as a lighting source.
- The cooker hood should not be exposed to a direct heat source from the cooking device underneath it, i.e. a naked flame from a gas burner or heat from electric hob zones without a pan on them.
- Do not attempt to use the cooker hood if it is damaged in any way. Never attempt to use it without the grease filters fitted or if the filters are excessively greasy!
- Never flambé cook under this cooker hood.

THE MANUFACTURER DECLINES ALL RESPONSIBILITY IN THE EVENT OF FAILURE TO OBSERVE THE INSTRUCTIONS GIVEN HERE, FOR INSTALLATION, MAINTENANCE AND SUITABLE USE OF THE HOOD.



Specifications of your cooker hood

PV372SS



PRODUCT DIMENSIONS

Height: 875 - 1100 mm*
Width: Ø 350 mm
Depth: Ø 350 mm

Your stainless steel cooker hood is fitted with:

- High extraction tangential motor
- Electronic push button control operation
- 3 speeds
- 1 washable stainless steel grease filter
- 3 LED lights
- Suitable for extraction or recirculation

Extraction capacity: 750 m³/hr

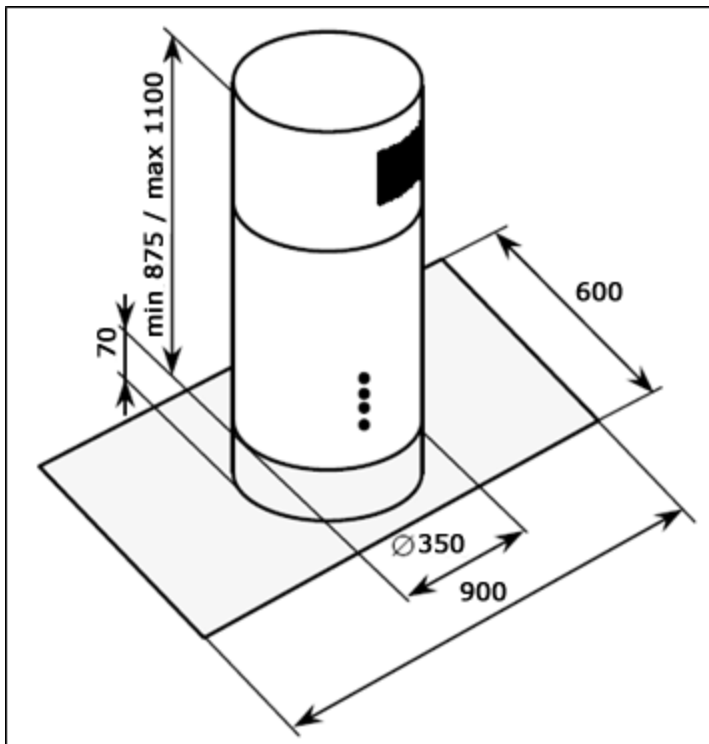
Noise level min/max: 58 – 62 dB



*** IMPORTANT: Please see the positioning instructions on pages 18 - 19 to obtain precise information on the height requirements for this product.**



If you are using the appliance in recirculation mode, then PLEASE NOTE that some of the vent in the upper chimney section must be exposed. You will have to take this into account when calculating the minimum height of the cooker hood when installed.



PRODUCT DIMENSIONS

Height: 875 mm - 1100 mm*
Width: 900 mm
Depth: 600 mm

Your stainless steel cooker hood is fitted with:

- High extraction tangential motor
- Electronic push button control operation
- 3 speeds
- 1 washable stainless steel grease filter
- 3 LED lights
- Suitable for extraction or recirculation

Extraction capacity: 750 m³/hr

Noise level min/max: 58 – 62 dB



*** IMPORTANT: Please see the positioning instructions on pages 18 - 19 to obtain precise information on the height requirements for this product.**



If you are using the appliance in recirculation mode, then PLEASE NOTE that some of the vent in the upper chimney section must be exposed. You will have to take this into account when calculating the minimum height of the cooker hood when installed.

Optional extras (all models)

S1 1 pair of carbon filters

DK5 1 Metre length Ducting Kit 125 mm Ø.

DK10 3 Metre length Ducting Kit 125 mm Ø with flat channelling included.

- Available from the Baumatic Spares Department.

Using your Baumatic cooker hood

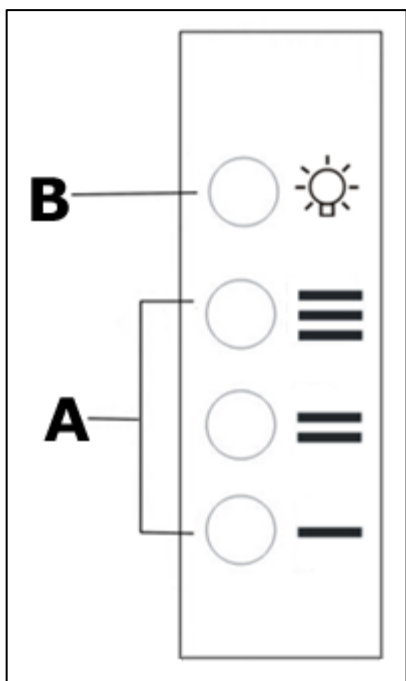
Before first use



IMPORTANT: THIS PROCESS MUST BE FOLLOWED BEFORE THE COOKER HOOD IS USED FOR THE FIRST TIME.

- You should use a good quality stainless steel cleaner and polish on ALL of the stainless steel areas of your cooker hood, before it is used for the first time.
- This will help to leave a silicone water-resistant film to protect the stainless steel surfaces.

To use your cooker hood



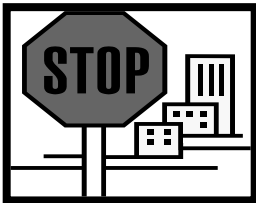
- **A** = Speed selection buttons
 - = Low speed
 - ≡ = Medium speed
 - ≡ = High speed
- **B** = Light on/off button

- Before operating the hood, make sure that it has been installed by a suitably qualified person, as per the information contained in Baumatic's installation instructions.
- Find the control panel, which is located in the middle of the main body of the cooker hood.
- There are several buttons on the control panel, which perform separate functions (see line drawing on previous page).



IMPORTANT: IDEALLY YOU SHOULD SWITCH ON YOUR HOOD TEN MINUTES BEFORE YOU START TO COOK, OR AT THE VERY LEAST WHEN YOU BEGIN COOKING. YOU SHOULD ALSO RUN YOUR HOOD FOR TEN MINUTES AFTER YOU HAVE FINISHED COOKING.

Cleaning your Baumatic cooker hood



IMPORTANT: BEFORE CLEANING, ALWAYS ENSURE THAT YOU HAVE SWITCHED YOUR COOKER HOOD OFF AT THE OMNI-POLAR SWITCH, SET AT THE WALL FROM THE CABLE.

Cleaning

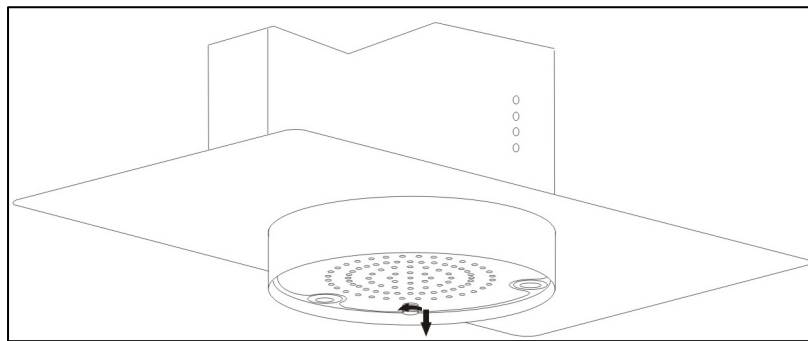
- Clean the external parts of your cooker hood with mild liquid detergent and a new damp cloth.
- Never use abrasive powder, corrosive solvents or brushes.
- Never insert pointed objects into the motor's protective grid.
- Only clean the control panel and grease filter grill with mild liquid detergents and a new damp cloth.
- If you are using the appliance in recirculation mode, then be sure to replace the carbon filters at the recommended intervals (see section on "Fitting the carbon filter"). A build up of grease could cause a fire hazard.
- Never attempt to clean the area above the grease filters.

The grease filter

- Your cooker hood is fitted with a grease filter, which helps to absorb grease particles and protect your kitchen & furniture from greasy residues.
- This metallic filter may become inflammable if you allow them to get saturated with this greasy residue.
- To prevent this fire hazard, the filter should be cleaned regularly. Depending on use, this should be done every 10-15 days or at least once a month, using hot water and normal washing-up detergent.
- ***DO NOT WASH THE GREASE FILTER IN A DISHWASHER.***

Maintenance

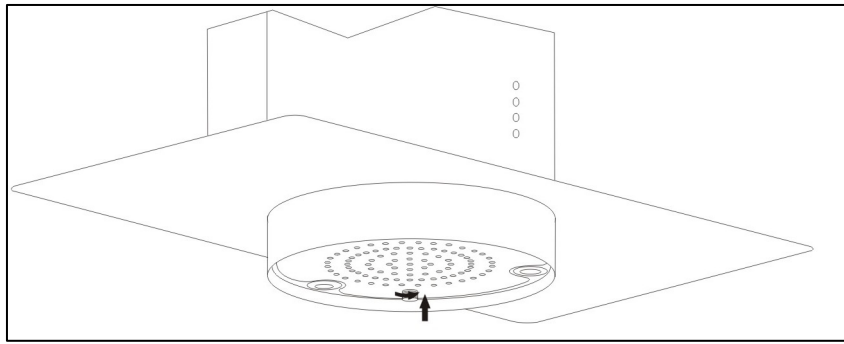
Removing and cleaning the grease filter



- Remove the fixing screw that holds the grease filter in place and then pull away the grease filter from the cooker hood.

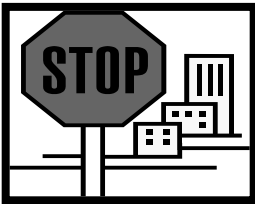


- Soak the grease filter in hot water and washing up liquid for about an hour.
- Rinse them off thoroughly with hot water.
- Repeat the process if required.

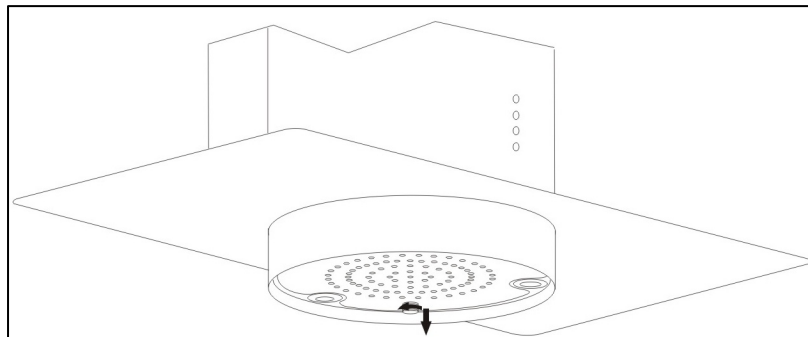


- Refit the grease filter once it has dried and then retighten the fixing screw that holds it in place.
- **IMPORTANT: Let the grease filter dry thoroughly before refitting it in the cooker hood.**

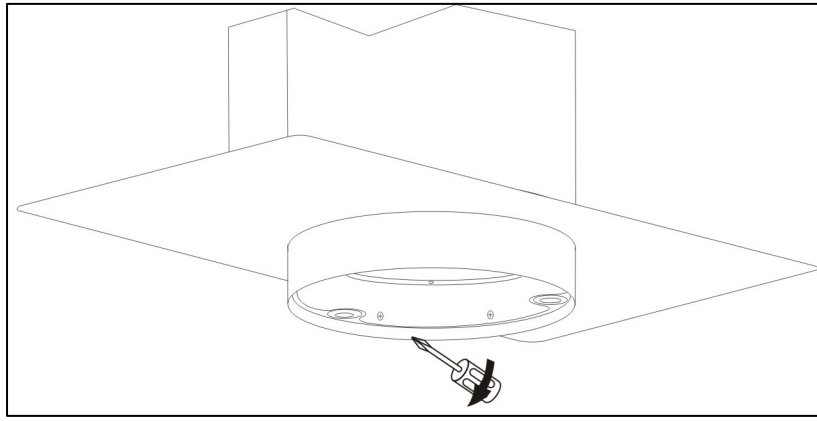
Changing a light bulb



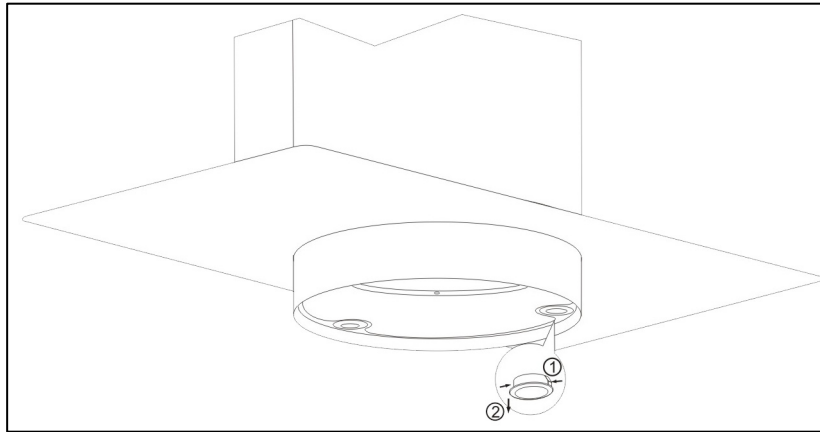
IMPORTANT: BEFORE ATTEMPTING TO CHANGE A LIGHT BULB, YOU MUST ENSURE THAT YOU HAVE DISCONNECTED THE COOKER HOOD FROM YOUR MAINS SUPPLY.



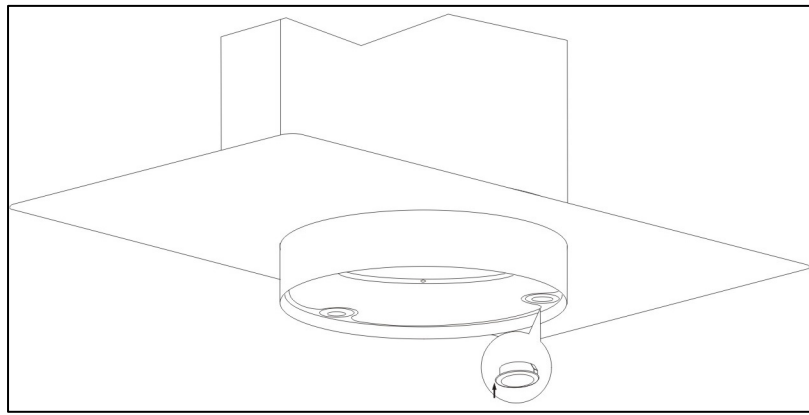
- Remove the fixing screw that holds the grease filter in place and then pull away the grease filter from the cooker hood.



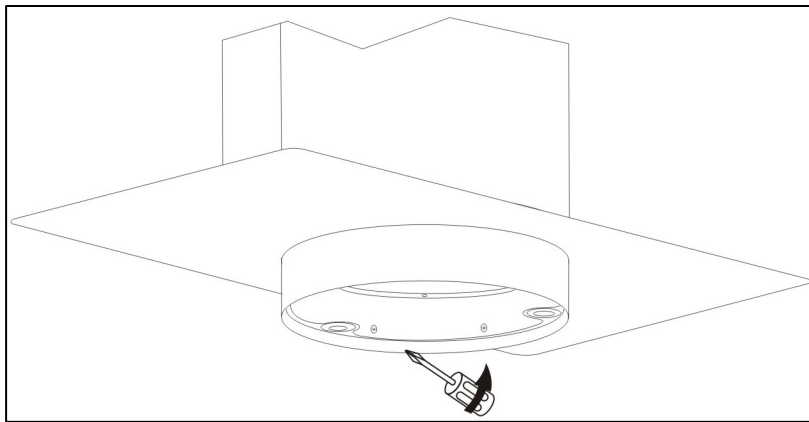
- Use a screwdriver to remove the 6 fixing screws that hold the light board in place.
- Prior to touching the light bulbs ensure that they have cooled down.



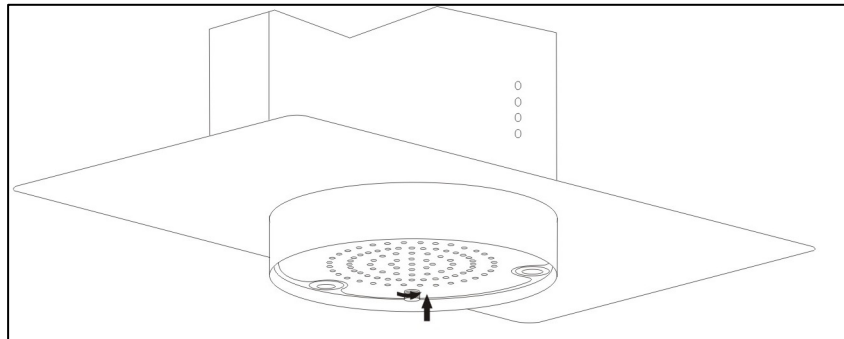
- Disconnect the light wiring point (see page 22 for a line drawing of how to disconnect the light wiring point). Tighten the retaining ring, push the light out and replace it.
- **IMPORTANT:** Defective bulbs should be replaced immediately.



- Push the light back into the exposed hole in the hood and reconnect the light wiring point (see page 23 for a line drawing that shows how to reconnect the light wiring point).



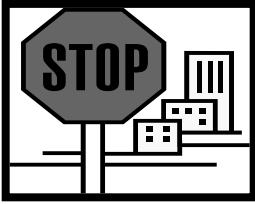
- Use a screwdriver to retighten the 6 fixing screws that hold the light board in place.



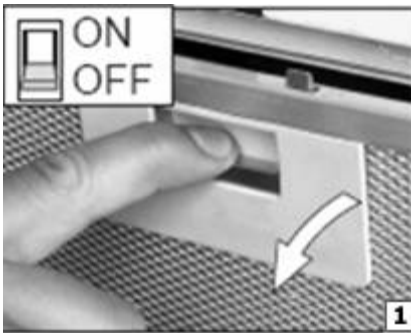
- Refit the grease filter once it has dried and then retighten the fixing screw that holds it in place.
- If the lights still do not work, make sure that the bulbs are fitted properly into their housings before you call for technical assistance.

Fitting the carbon filters

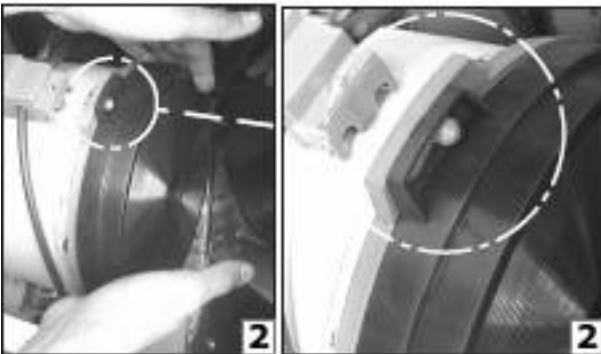
If the appliance is being used to be used in recirculation mode then it is necessary to fit carbon filters. This will help to absorb unpleasant odours caused by cooking.



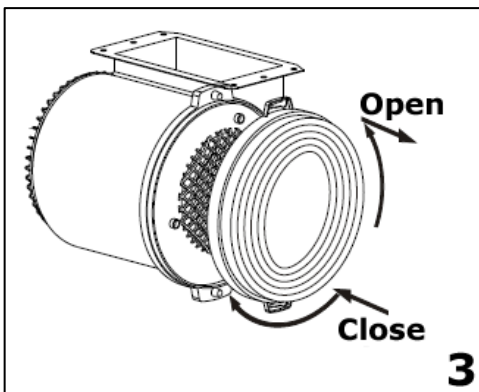
IMPORTANT: BEFORE ATTEMPTING TO FIT OR REMOVE THE CARBON FILTERS, YOU MUST ENSURE THAT YOU HAVE DISCONNECTED THE COOKER HOOD FROM YOUR MAINS SUPPLY.



1) Remove the grease filter.



2) Hook the carbon filter over the pins that are located at the end of the motor.

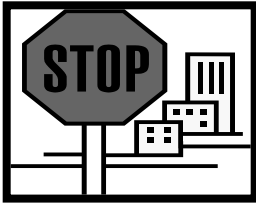


3) Turn the carbon filter anticlockwise, until you feel it click into place.

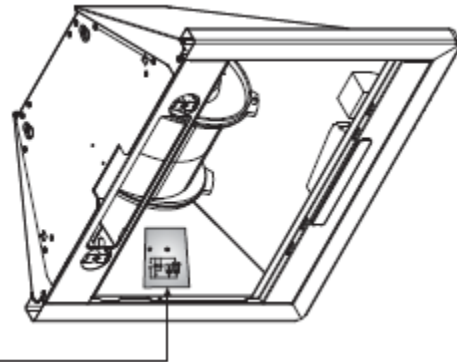
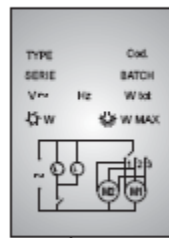
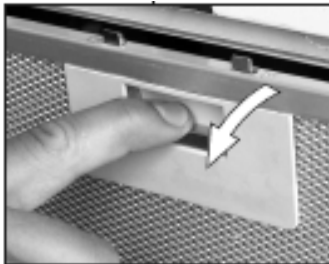
- Repeat this process for the second carbon filter. You need to place a carbon filter at either end of the motor.
- Refit the grease filter.

- The carbon filters should be replaced approximately every three months, if they show signs of damage, or if you start to notice that cooking smells are entering the kitchen through the upper vents.

Installation



IMPORTANT: Before installation and usage read all the instructions and make sure that the voltage (V) and the frequency (Hz) indicated on the rating plate are exactly the same as the voltage and frequency in your home. The rating plate can be found behind the grease filter.



The manufacturer declines all responsibility in the event of the installer failing to observe all the accident prevention regulations in force, which are necessary for normal use and the regular operation of the electric system.

Electrical connection

YOUR COOKER HOOD IS INTENDED FOR FITTED AND PERMANENT INSTALLATION.



- The cooker hood's power cable must be fitted upstream from the electrical connection, using an omni-polar switch with a contact distance of at least 3 mm. **THE FUSE MUST BE RATED AT 3 AMPS.**

WARNING: THIS APPLIANCE MUST BE EARTHED. It should only be connected by a competent person, using fixed wiring via a double pole switched fused spur outlet. **(UK ONLY).**

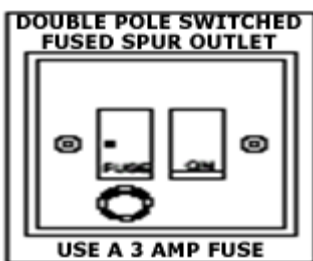


We recommend that the appliance is connected by a qualified electrician, who is a member of the N.I.C.E.I.C. and who will comply with the I.E.E. and local regulations. The wires in the mains lead are coloured in accordance with the following UK code:

Blue = Neutral, Brown = Live, Green/Yellow = Ground

If you only find two wires in the main's lead (blue and brown), then neither must be connected to the earth terminal.

- As the colours of the wires in the appliance's mains lead may not correspond with the coloured markings identifying the terminals in your spur box, please proceed as follows:

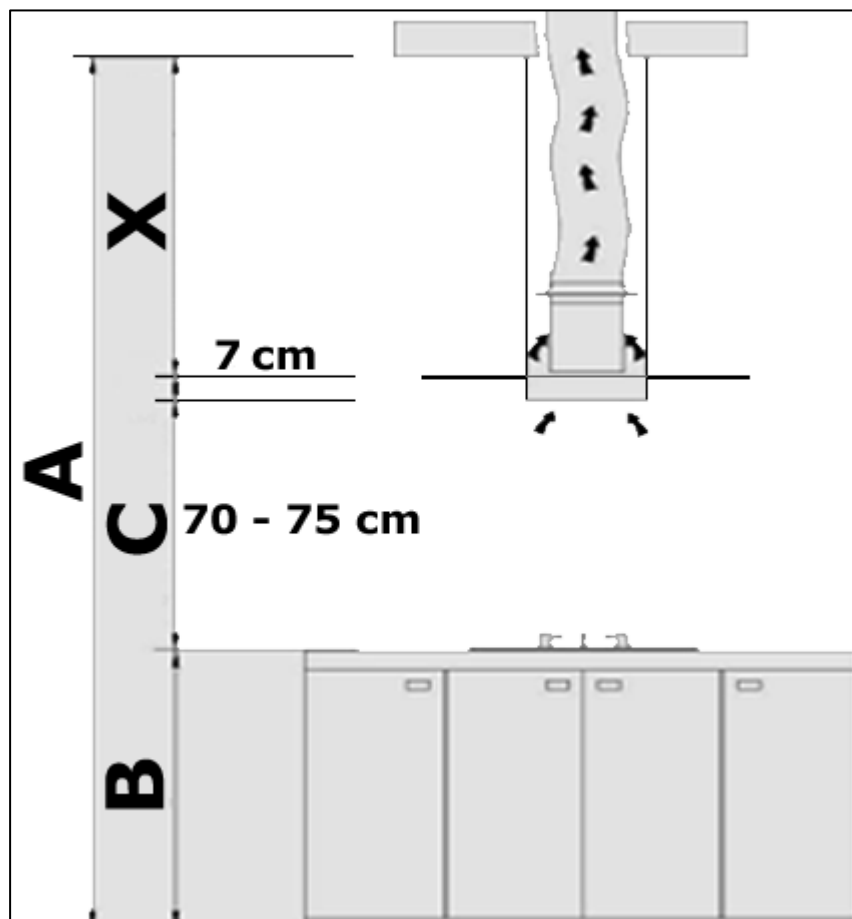


- The **blue wire** must be connected to the terminal marked "N" (neutral), or coloured **black**.
- The **brown wire** must be connected to the terminal marked "L" (live), or coloured **red**.

Before beginning installation

- Check that the product purchased is of a suitable size for the chosen installation area. In addition check whether there is an electrical socket available that will be accessible once the hood is mounted. If the product is going to be used in extraction mode, then there should also be space to connect a ducting hose to the outside.
- Carry out all necessary masonry work prior to the fitting of the cooker hood.
- Ensure that all electrical connections are carried out by a suitably qualified person.
- Check inside the product and ensure that there is no transit packaging or any other materials, such as packets of screws, guarantees etc. These should be removed and kept for future use.
- If possible, disconnect and move freestanding or slot-in cookers from their position, to provide easier access to the ceiling. If this is not possible, then a thick, protective covering should be placed over the worktop, hob top or cooker. This will help to protect these surfaces from damage and debris.
- Select a flat surface for assembling the cooker hood. Cover that surface with a protective covering and place all cooker hood parts and fittings on it.
- Wall plugs are provided to secure the hood to most types of ceilings. However a qualified technician must verify the suitability of the materials, in accordance with the type of ceiling. The ceiling must be strong enough to take the weight of the hood.
- Do not tile, grout or silicone this appliance to the ceiling. This appliance is designed to be surface mounted only.
- Remove any protective wrapping that has been put on the cooker hood or chimney sections, to protect them during transit.

Positioning



- X** = Height of the appliance
- A** = Total height of the kitchen
- B** = Height of the worktop
- C** = Distance between the hob and the hood
- 7 cm** = Height of the hood canopy

- To work out the height of the appliance, you need to use the following formula: **$X = A - (B + C + 7 \text{ cm})$** .
- The overall height of the appliance should be calculated according to the height of the chimney sections. You must allow yourself sufficient space to make the electrical connections and connecting the ducting hose (if required).



IMPORTANT: Your ceiling should have a minimum height of 2.7 metres; otherwise you may encounter difficulties when installing the appliance.



If you are using the appliance in recirculation mode, then PLEASE NOTE that some of the vent in the upper chimney section must be exposed. You will have to take this into account when calculating the minimum height of the cooker hood when installed.

Installing your cooker hood

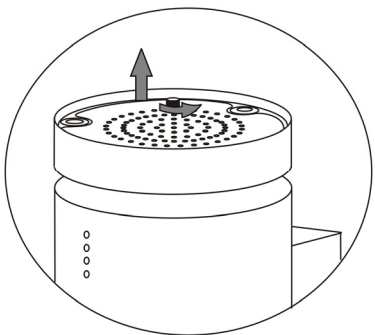


IMPORTANT: YOU WILL HAVE TO DECIDE BEFORE INSTALLING YOUR COOKER HOOD WHETHER TO USE IT IN EXTRACTION MODE OR RECIRCULATION MODE. PLEASE TURN TO PAGE 25 NOW TO UNDERSTAND THE DIFFERENCES BETWEEN THESE TWO MODES.

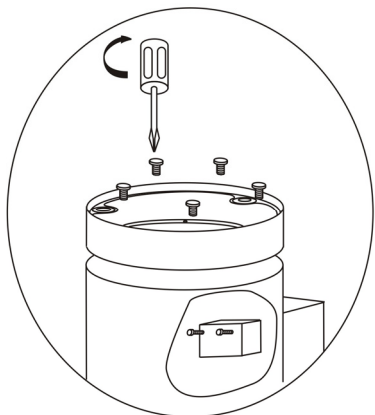
- We recommend that two people install this hood.
- Your cooker hood should only be suspended from ceiling joists or joints between joists that are weight bearing. **DO NOT** hang this hood from a suspended ceiling.
- **IMPORTANT:** *The ceiling MUST be able to withstand a weight of at least 40 kilograms.*
- **IMPORTANT:** *The ceiling MUST be at least 30 mm thick.*
- It must be positioned at least 700 mm above the hob underneath it. You cannot fit this product by securing it between two cupboards.
- If you are using your cooker hood in extraction mode, then you will need to make the necessary arrangements for the ducting, before the rest of the installation.

IMPORTANT: YOUR COOKER HOOD SHOULD BE CONNECTED TO YOUR MAINS SUPPLY AFTER THE REST OF THE INSTALLATION PROCESS HAS BEEN COMPLETED.

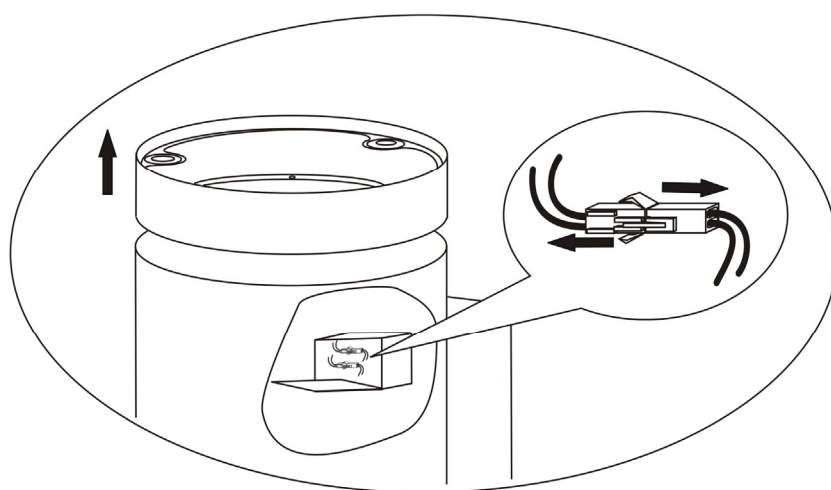
Installing the glass canopy (PV972GL only)



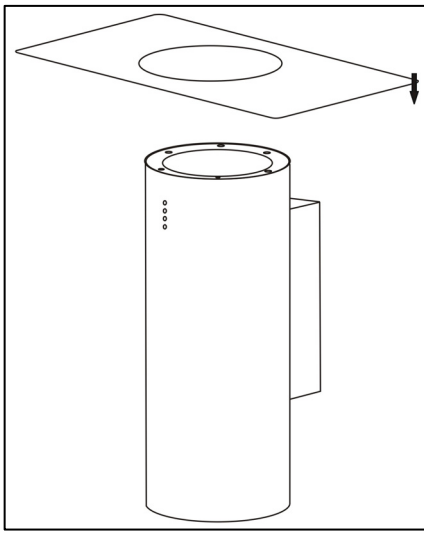
- Carefully turn the appliance upside down, so that the grease filter is pointing upwards to the ceiling.
- Remove the fixing screw that holds the grease filter in place and then pull away the grease filter from the cooker hood.



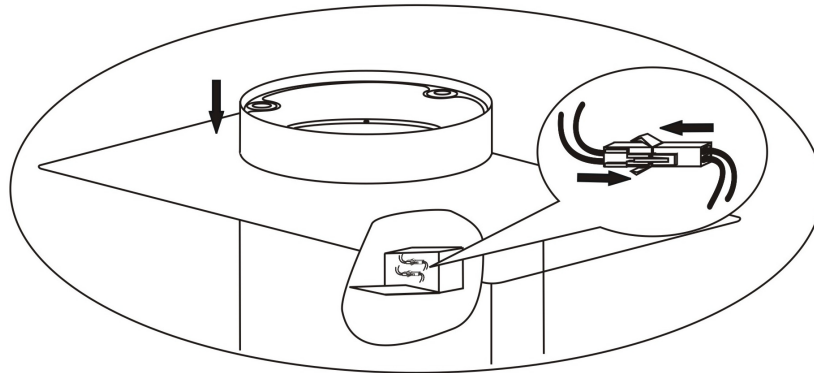
- Use a screwdriver to remove the 6 fixing screws that hold the base of the cooker hood in position.
- You should also remove the screws in the light wiring point that is situated inside of the hood.



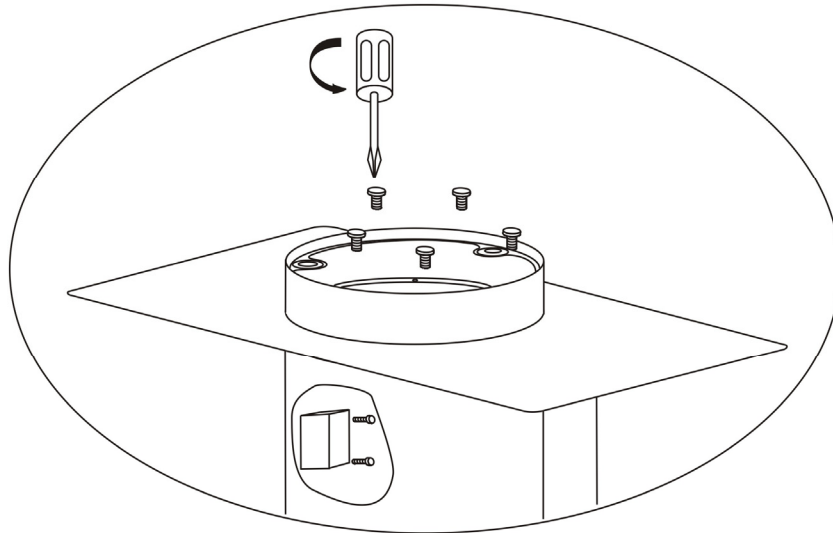
- Remove the base of the cooker hood by pulling it upwards and away from the main body of the hood.
- Open the cover of the light wiring point that is situated inside of the hood and then pull apart the wires that are inside.



- Carefully lift the glass canopy towards the main body of the hood.



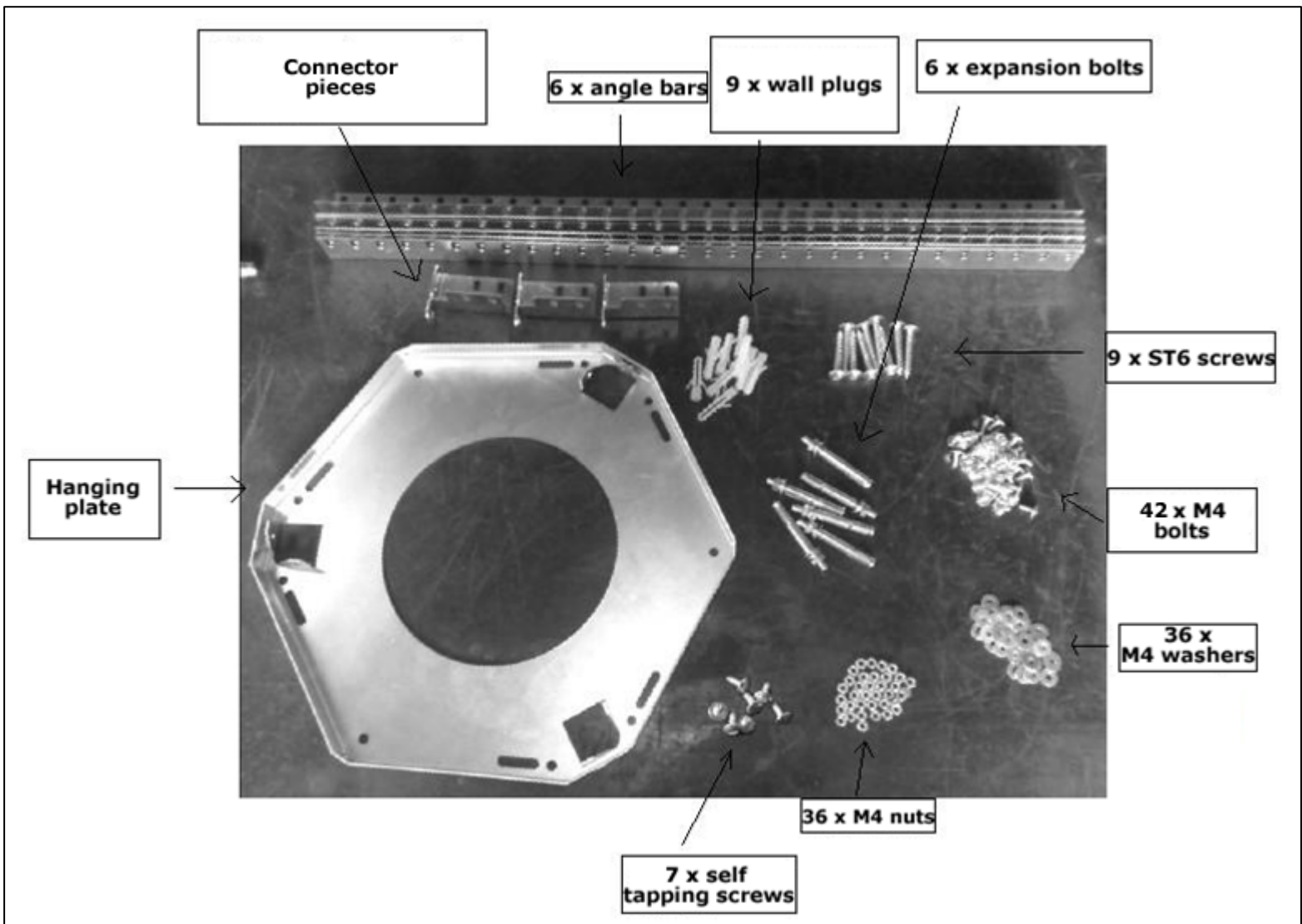
- Carefully locate the glass canopy over the main body of the hood.



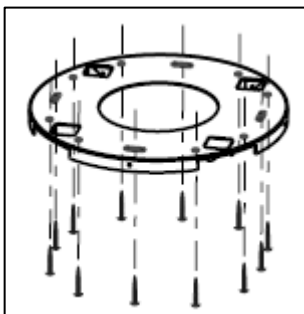
- Push together the wires inside of the light wiring point. Retighten the screws for the light wiring point inside of the cooker hood.
- Place the base of the cooker hood back onto the main body of the hood.

- Use a screwdriver to retighten the 6 fixing screws that hold the base of the cooker hood in position.
- **IMPORTANT:** These screws *MUST* be fully tightened.

Supplied installation components



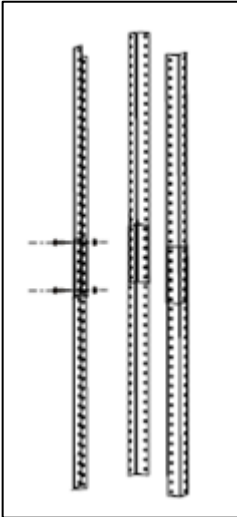
Fixing the cooker hood to the ceiling



1) Position the hanging plate on the ceiling and then mark the position of the screw holes.

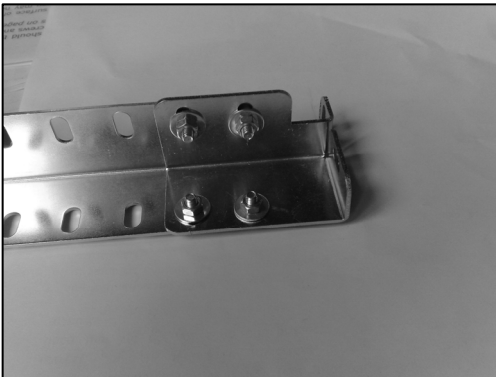
- If you are going to be using the hood in extraction mode, then you should also mark the position of the larger hole in the centre of the hanging plate. Then make an appropriately sized hole, as you will need to feed the ducting hose through it later in the installation process.

- The hanging plate should be securely fixed to the ceiling, using the 40 mm x ST6 screws (9 pcs) and wall plugs (**IMPORTANT: See note regarding wall plugs on page 19**).
- Depending on the surface of the ceiling that you are fixing the hanging plate to, you may need to use six expansion bolts (for concrete).

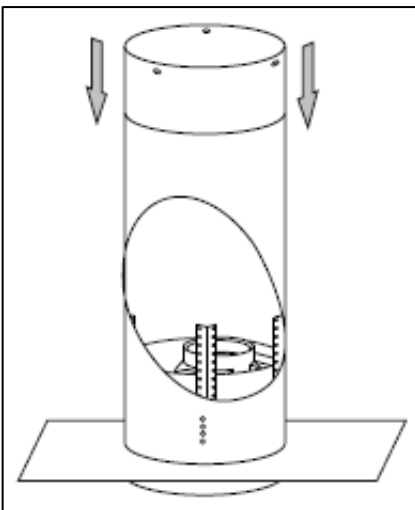


2) Extend the angle bars to the required height, then fix them in position using the 10 mm x M4 nuts and bolts with metal washers (12 pcs) (as shown in the line drawing opposite).

- **IMPORTANT:** The angle bars must have an overlap of **AT LEAST 100 mm**.

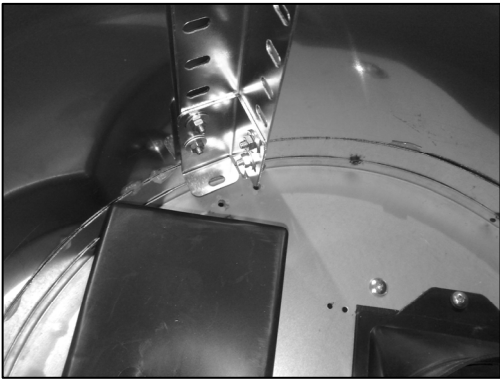


- Fix a connector piece to the bottom of each angle bar using the 10 mm x M4 nuts and bolts with metal washers (12 pcs).

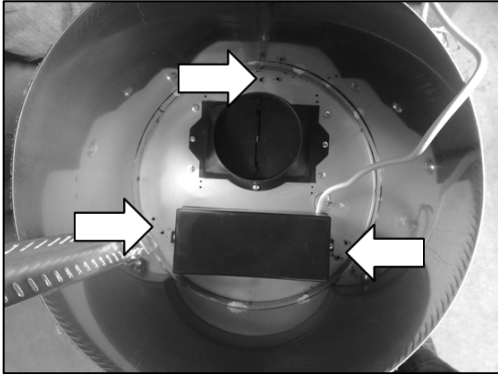


3) If you are going to be using the hood in extraction mode, you should fit the spigot for the duct hose onto the main body of the cooker hood using the self tapping screws (4 pcs)

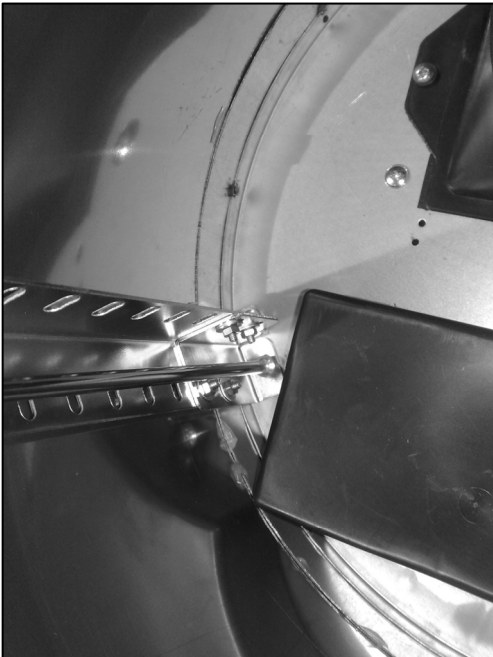
- Place the angle bars inside of the main body of the cooker hood.
- Place the upper chimney section onto the main body of the cooker hood.



4) Locate the holes on the top of the main body of the cooker hood that you fix the connector pieces and angle bars to.



- The positions of the holes are indicated in the line drawing opposite.

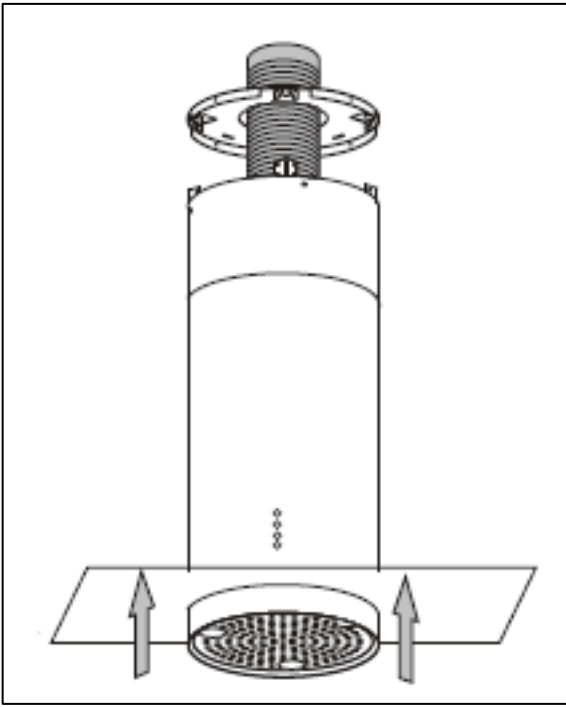


5) Use the 10 mm x M4 nuts and bolts with metal washers (6 pcs) to secure the main body of the hood to the angle bars.

- ***IMPORTANT: The nuts should be fitted to the underside of the holes and fully tightened.***
- ***IMPORTANT: All of these screws MUST be fully tightened with a screwdriver.***
- If you are going to be using the hood in extraction mode, you should fix the ducting hose to the spigot that you fitted in step 3.

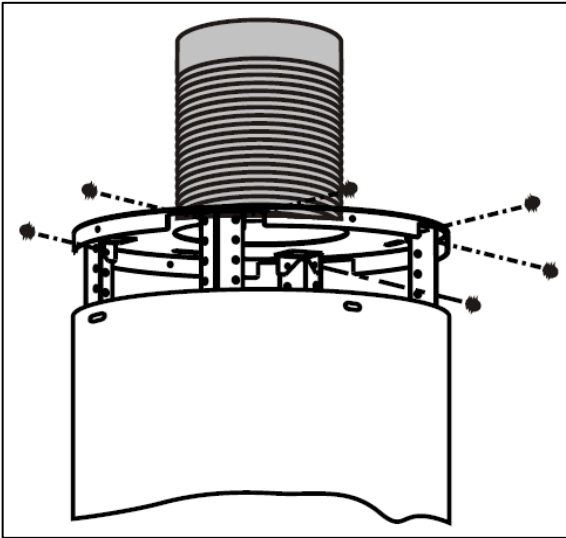


IMPORTANT: The next stage of the installation process MUST be completed by two people. The cooker hood MUST be supported from underneath until it is fully secured to the hanging plate.



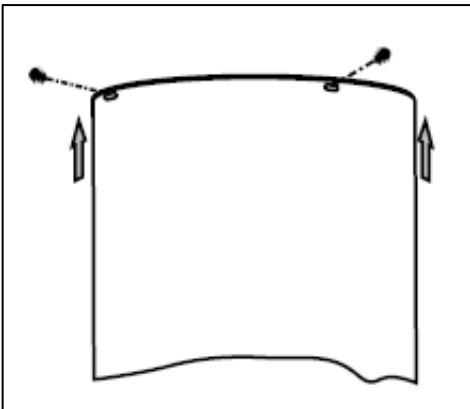
5) Lift the main body of the cooker hood towards the hanging plate.

- If you are going to be using the hood in extraction mode, you should feed the ducting hose through the hole in the ceiling that you made in step 1. The ducting hose should be connected to your external ducting at this stage.



6) Use the 10 mm x M4 bolts and nuts with metal washers (6 pcs) to attach the angle bars to the hanging plate.

- **IMPORTANT:** *These screws MUST be fully tightened.*



7) Slide the upper chimney section upwards and then use the self tapping screws (3 pcs) to secure it to the hanging plate.

Completing the installation

- The electrical connection must correspond to the electrical requirement noted on the rating plate, which is placed inside the cooker hood. The appliance should now be connected to the electrical supply. See page 18 for detailed information on the electrical connection.
- Check that the appliance is operating correctly by selecting each speed and switching the light bulbs on and off.
- Use a stainless steel cleaner and polish on the stainless steel sections of the appliance.
- If you are using the appliance in recirculation mode, then you should now fit the carbon filter. See the "Fitting the carbon filter" section on pages 16 - 17.

Extraction mode or recirculation mode?

What is the difference between extraction and recirculation modes?

To get optimum performance from your cooker, the air will be taken out of the room via external ducting.

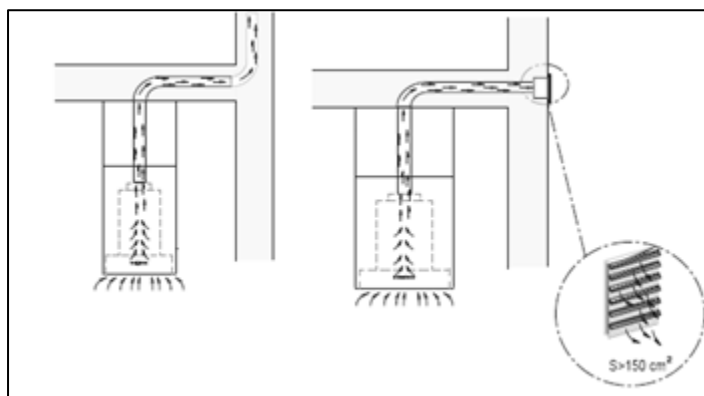
Unfortunately if you live in a flat or the hood is too far from an outside wall, this may not be possible. The only alternative is to recirculate the air.

In recirculation mode stale air is taken via the grease filter, and passed through a charcoal filter for purification. The air then re-enters the kitchen via an opening in the hood.

What is a charcoal filter and do I need one?

All cooker hoods have a grease filter but if you are using your cooker hood in recirculation mode, then a charcoal filter must be fitted in addition to the grease filter.

External ducting



- Connect the spigot to the top of the cooker hood, and then connect a 125 mm ducting hose to the spigot (please note that the ducting hose is not supplied with the appliance).
- The other end of the ducting hose should be connected to a discharge outlet that is suitable for cooking vapours. It should have a cross section of at least 150 cm².
- The maximum distance between the spigot and your discharge outlet should be 3 metres, with one 90 degree bend.
- For each additional 90 degree bend that is made, the maximum distance between the coupling and your discharge outlet is reduced by 1 metre.

Troubleshooting

IMPORTANT: If your cooker hood appears not to be operating properly, before contacting Baumatic Customer Care, please refer to the checklist below.



My cooker hood will not start.

- Check that the hood is connected to the electricity supply
- Check that the fan speed control is set correctly.



My cooker hood is not working effectively.

- The fan speed is not set high enough
- The grease filter is dirty and requires cleaning.
- The kitchen is not well ventilated enough.
- If the hood is set up for recirculation mode, check that the carbon filters do not need replacing.
- If the hood is set up for extraction mode, check that the ducting hose and discharge outlet are not blocked.



My cooker hood has switched off during operation.

- The safety cut-out device has been tripped.
- Turn off the hob and then wait for the safety cut-out device to reset.
- **IMPORTANT:** *If you have installed your cooker hood too low, the safety cut-out device will frequently trip. Your cooker hood may become damaged if the safety cut-out device is tripped frequently.*



IMPORTANT: *If your appliance appears not to be operating correctly, then you should disconnect it from your mains supply and then contact Baumatic Customer Care on telephone number (0118) 933 6911.*

DO NOT ATTEMPT TO REPAIR THE APPLIANCE YOURSELF.

Please note that if an engineer is asked to attend whilst the product is under guarantee and finds that the problem is not the result of an appliance fault, then you may be liable for the cost of the call out charge.

The appliance must be accessible for the engineer to perform any necessary repair. If your appliance is installed in such a way that an engineer is concerned that damage will be caused to the appliance or your kitchen, then he will not complete a repair.

This includes situations where appliances have been tiled in, sealed in with sealant, have wooden obstructions placed in front of the appliance, like plinths. Or any installation other than the one specified by Baumatic Ltd. has been completed.

Please refer to the conditions of guarantee that appear on the warranty card that you receive with the appliance.

IMPORTANT: Baumatic Ltd. operates a policy of continuous improvement and reserves the right to adjust and modify its products without prior notification.



United Kingdom

Baumatic Ltd.,
Baumatic Buildings,
6 Bennet Road,
Reading, Berkshire
RG2 0QX
United Kingdom

Sales Telephone

(0118) 933 6900

Sales Fax

(0118) 931 0035

Customer Care Telephone

(0118) 933 6911

Customer Care Fax

(0118) 986 9124

Spares Telephone

(01235) 437244

Advice Line Telephone

(0118) 933 6933

E-mail:

sales@baumatic.co.uk
customercare@baumatic.co.uk
spares@baumatic.co.uk
technical@baumatic.co.uk

Website:

www.baumatic.co.uk

Republic of Ireland

Service Telephone

1-890 812 724

Spares Telephone

091 756 771

Czech Republic

Baumatic CR spol s.r.o.
Průmyslová zóna Sever 696
460 11 Liberec 11
Czech Republic

+420 483 577 200

www.baumatic.cz

Slovakia

Baumatic Slovakia, s.r.o.
Galvániho 7/D
Slovakia

+421 255 640 618

Germany

Baumatic Gmbh
Lilienthalstrasse 1
320 52 Herford
Deutschland

+49 5221 694 99-0

www.baumatic.de

Italy

Baumatic Italia S.R.L.
Via Galvani N.3
35011 Campodarsego (PD)

+3904 9920 2297

www.baumatic.it

Holland

Baumatic Benelux B.V.
Grindzuigerstraat 22
1333 MS ALMERE
Nederland

+3136 549 1555

www.baumatic.nl

