

**ISTRUZIONI PER L'INSTALLAZIONE, LA MANUTENZIONE  
E L'USO DELLA CAPPA INTEGRALE**

**INSTALLATIONSANWEISUNG, WARTUNG  
UND VERWENDUNG DER DUNSTABZUGSHAUBEN  
MOD. INTEGRIERTE**

**INSTRUCTIONS FOR INSTALLATION, MAINTENANCE  
AND USE OF KITCHEN HOODS MOD. INTEGRATED**

**INSTRUCTIONS POUR L'INSTALLATION, L'ENTRETIEN  
ET L'UTILISATION DES HOTTES MOD. INTÉGRALE**

**INSTRUKTIES VOOR INSTALLATIE, ONDERHOUD  
EN GEBRUIK VAN DE KAPPEN MOD. INTEGRALE**

**INSTRUCCIONES PARA LA INSTALACION,  
EL MANTENIMIENTO Y EL EMPLEO DE LAS CAMPANAS  
MOD. INTEGRAL**



## INSTRUCTIONS FOR INSTALLATION, MAINTENANCE AND USE OF KITCHEN HOODS MOD. INTEGRATED

### GENERAL INFORMATION

Before installing and/or using the kitchen hood, read all these instructions carefully. Before installing the hood, make sure that the mains voltage (V) and frequency (Hz) ratings indicated on the name plate (situated on the inner side of the unit) correspond to the mains power supply voltage and frequency values available at the site of installation.

### NAME AND RATINGS PLATE

The name and ratings plate is situated on the inner side of the unit.

### INSTALLATION

All the accessories needed for installing the cooker hood can be found inside the unit. The hood is convertible, meaning that it can be used either as a SUCTION HOOD or as an AIR PURIFIER. If the unit is to be used as a SUCTION HOOD, connect the outlet (100 / 125 mm diameter) to an air discharge duct of at least 100 / 150 cm<sup>2</sup> cross-section area and leading directly to the outside environment. The bottom part of the hood should be no less than 70 cm from the cooker top. **UNDER NO CIRCUMSTANCES MUST THE HOOD BE CONNECTED TO CHIMNEY FLUES THAT ARE USED FOR OTHER NON-ELECTRIC APPLIANCES** (bathroom boilers, central heating burners, fireplaces, etc.).

### ELECTRICAL WIRING

Connect the unit to the mains power supply after having checked the voltage and frequency ratings of the unit (stamped on the name plate situated on the inner side of the unit). This should be done by means of a suitably rated power plug or by connecting the power cable to a single-toggle power switch with an open-contact distance of at least 3 mm. If provided with a plug, connect the power cable to a power socket. **ONLY FOR U.K.: WARNING: THIS APPLIANCE MUST NOT BE EARTHED.** This appliance must be connected by competent person, using fixed wiring via a DOUBLE POLE SWITCHED FUSED SPUR OUTLET. We recommend that the appliance is connected by a qualified electrician, who is a member of the N.I.C.E.I.C. and who will comply with the I.E.E. and local regulations. The wires in the mains lead are coloured in accordance with the following code: Blue = Neutral, Brown = Live. As the colours of the wires in the mains lead for the appliance, may not correspond with the coloured markings identifying the terminals in your spur box, proceed as follows: 1) The wire which is coloured blue must be connected to the terminal marked N (Neutral), or coloured Black. 2) The wire which is coloured brown must be connected to the terminal marked L (Live), or coloured Red (Fig. 6). **THE MANUFACTURER DECLINES ALL RESPONSIBILITY IN THE EVENT OF FAILURE OF THE INSTALLER TO COMPLY WITH ALL THE SAFETY STANDARDS CURRENTLY IN FORCE AND CONSIDERED NECESSARY FOR SAFE OPERATION OF THE UNIT AND PROPER OPERATION OF THE ELECTRIC WIRING SYSTEM.**

### OPERATION OPTIONS

1) **Suction operation** - Pendant le fonctionnement, la partie mobile doit être relevée au maximum pour garantir un fonctionnement correct de la hotte et une meilleure aspiration. Si cette partie reste baissée, cela peut causer une surchauffe du moteur. The kitchen hood is fitted with two discharge outlets, one situated on the top and another on the rear of the unit. If the rear outlet is to be used, remove the metal cover present on the outlet by pressing in with the fingers until it comes off, then apply the collar strip (A) supplied in the accessory kit for installation (See Fig. 3). Instead, if the top outlet is to be used, then proceed as illustrated in figure 3. Make sure that the Suction/Purifier selection lever is shifted to the SUCTION position (position "R" in fig. 4).

2) **Air purifier operation** - The kitchen hood can be converted to work as an air purifier in the event that there is no provision for an external air discharge duct and the heating of the room is considered necessary. When using the unit as an air purifier, it will be necessary to install an active carbon filter to absorb all cooking vapours. This filter needs to be changed regularly, depending on the intensity of use, but at any rate at least every six months. Shift the Suction/ Purifier lever to the PURIFIER position (position "D" in fig. 4).

### FITTING THE ACTIVE CARBON FILTER

Disconnect the power cable from the socket. If the connection is permanent, turn the two-pole switch to the OFF position (0). Turn the two grille stops (Fig. 1) inwards and open the grille: 1) integral with one motor: place the filter over the motor bracket support, taking care that the central button of the support fits inside the slot of the carbon filter, rotate until it hooks on (Fig. 4); 2) integral with two motors: place the filter on the motor bracket support and lock it in place with the dedicated screw.

### ASSEMBLY

**Fitting the hood.** - Position the hood 70 cm above the hob. Remove the fume-conveyor panel; this is done via the aperture locking mechanism located in the lower left-hand corner of the hood (Fig. 2-C). Open the metal grille by turning the two grille stops inwards and remove it from its seat (Fig. 1). Mark the position of the fixing holes on the sides of the wall units and fasten the hood with self-tapping wood screws (Fig. 4). Replace the metal grille and fume-conveyor panel. The fume-conveyor panel is designed to hold a wooden panel that matches the kitchen units. Use the four holes provided to fasten this panel in place.

### ACCESSORIES

On request, the integral hood can be equipped with two upper fixing brackets, which allow both the height and depth of the hood to be adjusted, in order to line it up correctly with the kitchen wall units. The brackets are fitted via two screws with dedicated washers (Fig. 2-D). Depth is adjusted by moving the brackets inside the slots provided; height is adjusted via the screw which locks the fastening bracket. The hood is supplied with a spacer to fill the space between the hood and the rear wall.

### CONTROL PANEL

The control panel (Fig. 5) is situated on the front of the hood and includes:

- a 4-position selector switch to control the fan motor (O = Off, 1st, 2nd & 3rd speed)(A);
- a light switch (B).

### MAINTENANCE

Always make sure that the power supply cable is disconnected from the power socket or that the mains power switch is turned OFF before carrying out any maintenance operations whatsoever.

- Cleaning** - Clean the outer parts using a non-corrosive liquid detergent; never use abrasive powders or hard bristle brushes.
- Substituting the light bulb** - Before removing the light bulb always make sure that the unit is disconnected from the power supply. Open the grease filter support grille (Fig. 4). Replace the light bulb only with olive type 40W globes with E14 connectors. Put the grille back in its place.
- Substituting the carbon filter** - See section describing carbon filter installation.
- Substituting the grease filter** - The grease filter should be replaced at least every 3 months, or more frequently, depending on the intensity of use. Failure to do so will prejudice the safe operation of the unit (**WARNING:** the greasy substances trapped by the filter may become flammable, making it necessary to wash the filters out regularly). Disconnect the electric power supply from the unit. Open the grille and remove the grease filter by removing the springs that hold it in place (Fig. 4). Insert the new filter making sure that the surface is spread out evenly to cover the grille. The holes in the grille should be covered completely by the filter. If the anti-grease filter is made of metal, it should be washed with hot water and normal washing-up liquid. Put back the springs that hold the filter in place and close the grille.

### CAUTION

Make sure that the cooker burners are always covered, in order to prevent the filter on the hood from overheating. Never leave pans unattended on the cooker whilst frying, as the oil in the pan may overheat and catch fire. Oils used several times tend to increase the risk of spontaneous combustion. Never prepare flambé-type dishes with flames rising up to the hood. Never operate the suction hood with an external discharge duct in rooms where there are other non-electric heating units in operation (i.e. gas or wood heaters, boilers and burners) unless suitable provision is made for airing to the room.

If the hood is used in the suction mode, make sure that the discharge pipe leading outside is clear, especially if the hood has not been used for a long period of time.

Pay strict attention to the local regulations referring to the discharge of air when operating the hood in suction mode.

All relative recommendations are to be observed with utmost care in order to prevent possible fire hazards.

**THE MANUFACTURER DECLINES ALL RESPONSIBILITIES IN THE EVENT OF FAILURE TO COMPLY WITH THE INSTRUCTIONS LAID OUT IN THIS BOOKLET WITH REFERENCE TO INSTALLATION, MAINTENANCE AND PROPER USE OF THE KITCHEN HOOD.**



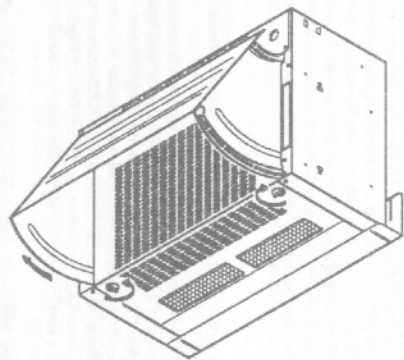


Fig. 1

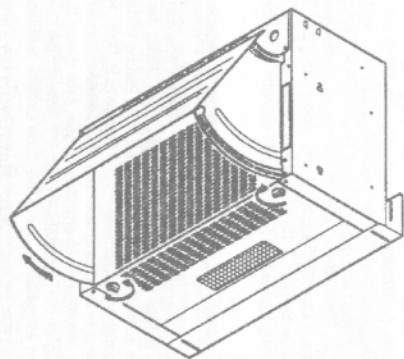
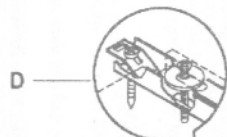


Fig. 1



D

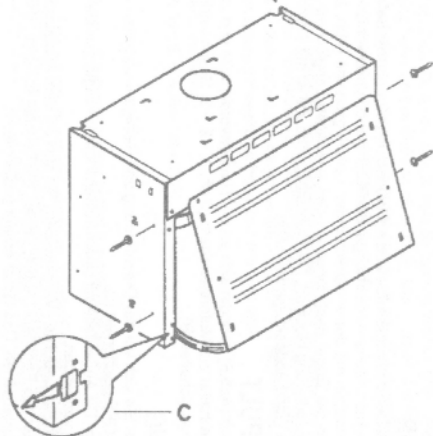
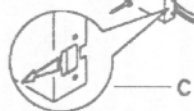


Fig. 2



C

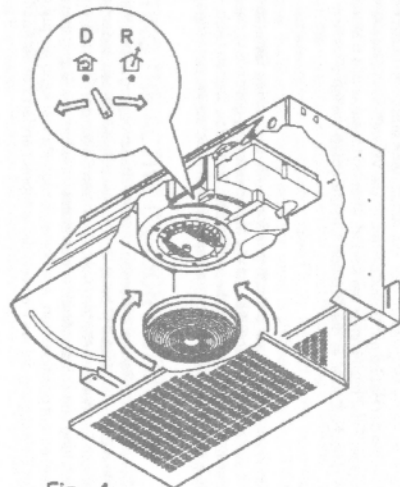


Fig. 4



D

R

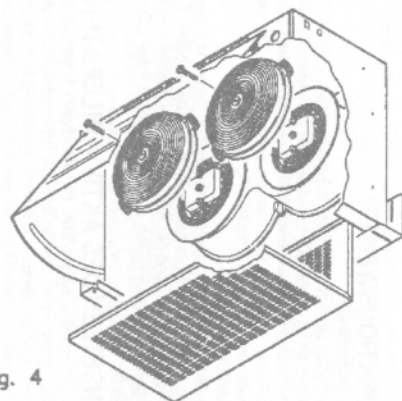


Fig. 4

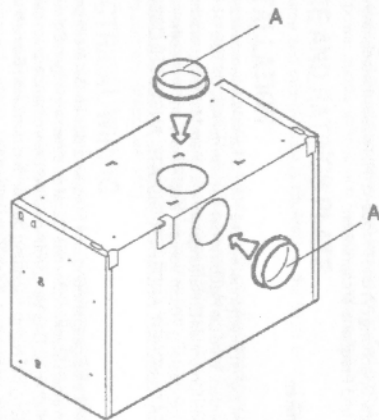


Fig. 3

A

A

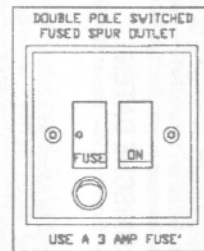


Fig. 6

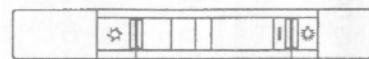


Fig. 5

A

B

© 1987 by Radio Shack Electronics, Inc. All rights reserved.