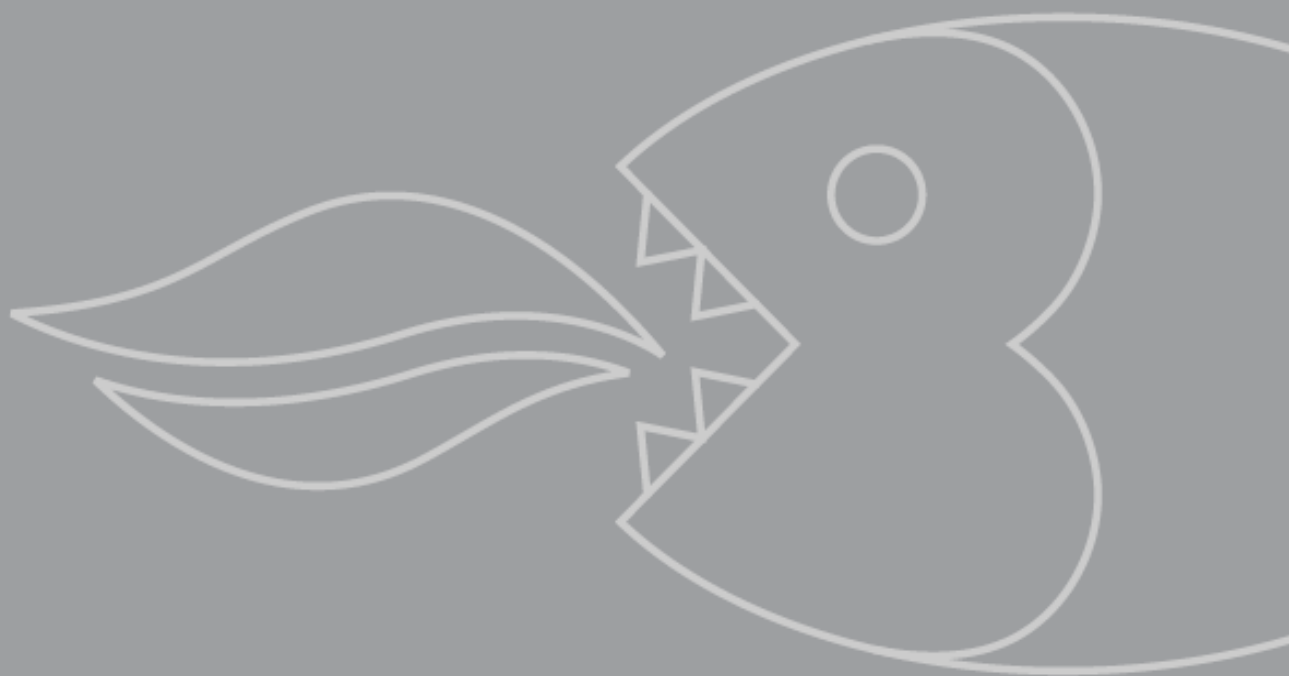
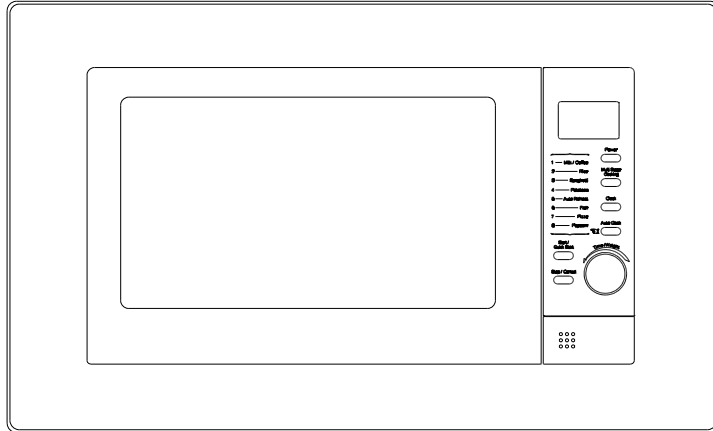


BMMI 170SS
17 Litre, Built-in
Microwave Oven

INSTRUCTION MANUAL



MODEL: BMMI170SS



Microwave Oven Owner's Manual

1. READ these instructions carefully before installing and operating the oven. Keep them for further reference.
2. Record in the space below the SERIAL NO. found on the nameplate on your oven and retain this information for future reference.

SERIAL NO.:

PRECAUTIONS TO AVOID POSSIBLE EXPOSURE TO EXCESSIVE MICROWAVE ENERGY

1. Do not attempt to operate this oven with the door open since open door operation can result in harmful exposure to microwave energy. It is important not to modify or tamper with the safety interlocks.
2. Do not place any object between the oven front face and the door or allow food residue or cleaner residue to accumulate on sealing surfaces.
3. Do not operate the oven if it is damaged. It is particularly important that the oven door close properly and that there is no damage to the:
 - 1) Door (bent),
 - 2) Hinges and latches (broken or loosened),
 - 3) Door seals and sealing surfaces.
4. The oven should not be adjusted or repaired by anyone except properly qualified service personnel.

CONTENTS

PRECAUTIONS TO AVOID POSSIBLE EXPOSURE TO EXCESSIVE MICROWAVE ENERGY----	1
SPECIFICATIONS*-----	2
BEFORE YOU CALL FOR SERVICE-----	2
INSTALLATION-----	2
GROUNDING INSTRUCTIONS-----	3
RADIO INTERFERENCE-----	3
IMPORTANT SAFETY INSTRUCTIONS-----	3
MICROWAVE COOKING PRINCIPLES-----	4
UTENSILS GUIDE-----	5
PART NAMES-----	6
CONTROL PANEL-----	7
HOW TO SET THE OVEN CONTROLS-----	8
CLEANING AND CARE-----	10

SPECIFICATIONS*

Power Consumption:	230-240V~50Hz, 1200W (Microwave)
Microwave Power Output:	700W
Operation Frequency:	2450MHz
Outside Dimensions:	304mm(H)×452mm(W)×318mm(D)
Oven Cavity Dimensions:	198mm(H)×315mm(W)×294mm(D)
Oven Capacity:	17Litres
Cooking Uniformity:	Turntable System
Net Weight:	Approx. 10.5 kg

BEFORE YOU CALL FOR SERVICE

If the oven fails to operate:

1. Check to ensure that the oven is plugged in securely. If it is not, remove the plug from the outlet, wait 10 seconds, and plug it in again securely.
2. Check for a blown circuit fuse or a tripped main circuit breaker. If these seem to be operating properly, test the outlet with another appliance.
3. Check to ensure that the control panel is programmed correctly and the timer is set.
4. Check to ensure that the door is securely closed engaging the door safety lock system. Otherwise, the microwave energy will not flow into the oven.

IF NONE OF THE ABOVE RECTIFIES THE SITUATION, THEN CONTACT CUSTOMER SERVICES. DO NOT TRY TO ADJUST OR REPAIR THE OVEN YOURSELF.

INSTALLATION

1. Make sure that all the packing materials are removed from the inside of the microwave.
2. **WARNING:** Check the oven for any damage, such as misaligned or bent door, damaged door seals and sealing surface, broken or loose door hinges and latches and dents inside the cavity or on the door. If there is any damage, do not operate the oven and contact Customer Services.
3. This microwave oven must be placed on a flat, stable surface to hold its weight and the heaviest food likely to be cooked in the oven.
4. Do not place the oven where heat, moisture, or high humidity are generated, or near combustible materials.
5. Do not operate the oven without the glass tray, roller support, and shaft in their proper positions.
6. Make sure that the power supply cord is undamaged and does not run under the oven or over any hot or sharp surface.
7. The socket must be readily accessible so that it can be easily unplugged in an emergency.
8. Do not use the oven outdoors.

GROUNDING INSTRUCTIONS

This appliance must be grounded. This oven is equipped with a cord with a grounding wire, with a grounding plug. It must be plugged into a wall receptacle that is properly installed and grounded. In the event of an electrical short circuit, grounding reduces risk of electric shock by providing an escape wire for the electric current. It is recommended that a separate circuit serving only the oven be provided. Using a high voltage is dangerous and may result in a fire or other accident causing oven damage.

WARNING Improper use of the grounding plug can result in a risk of electric shock.

Note

1. If you have any questions about the grounding or electrical instructions, consult Customer Services
2. Neither the manufacturer nor the dealer can accept any liability for damage to the oven or personal injury resulting from failure to observe the electrical connection procedures.

The wires in this cable main are colored in accordance with the following code:

Green and Yellow = EARTH

Blue = NEUTRAL

Brown = LIVE

RADIO INTERFERENCE

Operation of the microwave oven can cause interference to your radio, TV, or similar equipment.

When there is interference, it may be reduced or eliminated by taking the following measures:

1. Clean door and sealing surface of the oven.
2. Reorient the receiving antenna of the radio or television.
3. Relocate the microwave oven with respect to the receiver.
4. Move the microwave oven away from the receiver.
5. Plug the microwave oven into a different outlet so that microwave oven and receiver are on different branch circuits.

IMPORTANT SAFETY INSTRUCTIONS

When using electrical appliance basic safety precautions should be followed, including the following:

WARNING: To reduce the risk of burns, electric shock, fire, injury to persons or exposure to excessive microwave energy:

1. Read all instructions before using the appliance.
2. Use this appliance only for its intended use as described in this manual. Do not use corrosive chemicals or vapours in this appliance. This type of oven is specifically designed to heat, cook or dry food. It is not designed for industrial or laboratory use.
3. Do not operate the oven when empty.
4. Do not operate this appliance if it has a damaged cord or plug, if it is not working properly or if it has been damaged or dropped. If the supply cord is damaged, it must be replaced by the manufacturer or its service agent or a similarly qualified person in order to avoid a hazard.

5. Warning: When the appliance is operated in the combination mode, children should only use the oven under adult supervision due to the temperatures generated.
6. To reduce the risk of fire in the oven cavity:
 - a. When heating food in plastic or paper container, keep an eye on the oven due to the possibility of ignition;
 - b. Remove wire twist-ties from paper or plastic bags before placing bag in oven.
 - c. If smoke is observed, switch off or unplug the appliance and keep the door closed in order to stifle any flames.
 - d. Do not use the cavity for storage purposes. Do not leave paper products, cooking utensils or food in the cavity when not in use.
7. **WARNING:** Liquid or other food must not be heated in sealed containers since they are liable to explode.
8. Microwave heating of beverage can result in delayed eruptive boiling; therefore care has to be taken when handling the container.
9. Do not fry food in the oven. Hot oil can damage oven parts and utensils and even result in skin burns.
10. Eggs in their shell and whole hard-boiled eggs should not be heated in microwave ovens since they may explode even after microwave heating has ended.
11. Pierce foods with heavy skins such as potatoes, whole tomatoes, apples and chestnuts before cooking.
12. The contents of feeding bottles and baby jars should be stirred or shaken and the temperature should be checked before serving in order to avoid burns.
13. Cooking utensils may become hot because of heat transferred from the heated food. Oven gloves may be needed to handle the utensil.
14. Utensils should be checked to ensure that they are suitable for use in microwave oven.
15. **WARNING:** It is hazardous for anyone other than a trained person to carry out any service or repair operation which involves the removal of any cover which gives protection against exposure to microwave energy.
16. This product is a Group 2 Class B ISM equipment. The definition of Group 2 which contains all ISM (Industrial, Scientific and Medical) equipment in which radio-frequency energy is intentionally generated and/or used in the form of electromagnetic radiation for the treatment of material, and spark erosion equipment. For Class B equipment is equipment suitable for use in domestic establishments and in establishments directly connected to a low voltage power supply network which supplies buildings used for domestic purpose.
17. This appliance is not intended for use by persons (including children) with reduced physical, sensory or mental capabilities, or lack of experience and knowledge, unless they have been given supervision or instruction concerning use of the appliance by a person responsible for their safety.
18. Children should be supervised to ensure that they do not play with the appliance.

MICROWAVE COOKING PRINCIPLES

1. Arrange food carefully. Place thickest areas towards outside of dish.
2. Watch cooking time. Cook for the shortest amount of time indicated and add more as needed. Food severely overcooked can smoke or ignite.
3. Cover foods while cooking. Covers prevent spattering and help foods to cook evenly.
4. Turn foods over once during microwaving to speed cooking of such foods as chicken and hamburgers. Large items like roasts must be turned over at least once.
5. Rearrange foods such as meatballs halfway through cooking both from top to bottom and from the center of the dish to the outside.

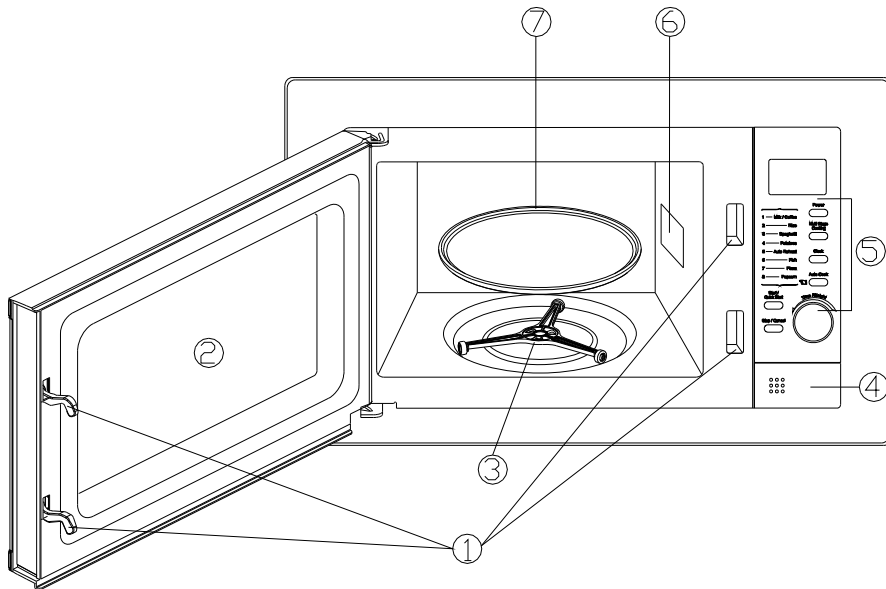
UTENSILS GUIDE

1. The ideal material for a microwave utensil is transparent to microwave, it allows energy to pass through the container and heat the food.
2. Microwaves can not penetrate metal, so metal utensils or dishes with metallic trim should not be used.
3. Do not use recycled paper products when microwave cooking, as they may contain small metal fragments which may cause sparks and/or fires.
4. Round /oval dishes rather than square/oblong ones are recommend, as food in corners tends to overcook.
5. Narrow strips of aluminum foil may be used to prevent overcooking of exposed areas. But be careful don't use too much and keep a distance of 1 inch (2.54cm) between foil and cavity.

The list below is a general guide to help you select the correct utensils.

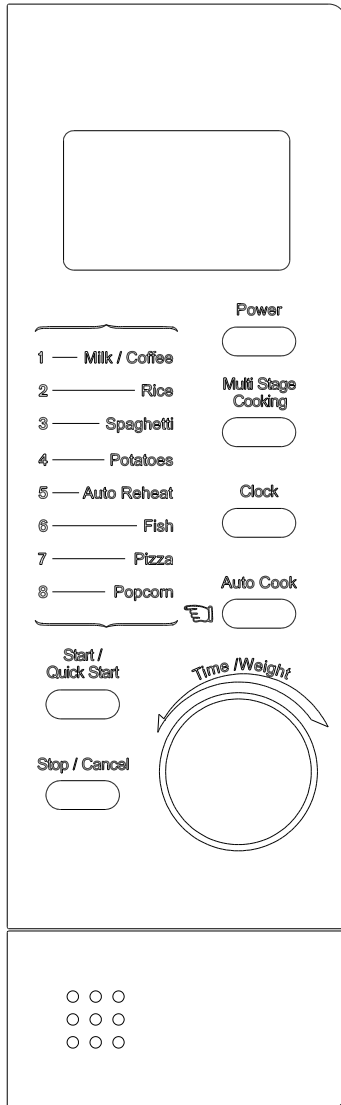
COOKWARE	MICROWAVE
Heat-Resistant Glass	Yes
Non Heat-Resistant Glass	No
Heat-Resistant Ceramics	Yes
Microwave-Safe Plastic Dish	Yes
Kitchen Paper	Yes
Metal Tray	No
Metal Rack	No
Aluminium Foil & Foil Containers	No

PART NAMES



1. Door Safety Lock System
2. Oven Window
3. Roller Ring
4. Door Release Button
5. Control Panel
6. Wave Guide (Please do not remove the mica plate covering the wave guide)
7. Glass tray / Turn table

CONTROL PANEL



LED DISPLAY SCREEN

Cooking time, power, action indicators, and clock time are displayed.

POWER

Touch this button repeatedly to set desired microwave cooking power level.

MULTI STAGE COOKING

Touch to set a multi stage cooking program.

CLOCK

Use to set clock time.

AUTO COOK

Press for instant settings to cook popular food.

TIME/WEIGHT

Turn the dial to adjust the oven clock time, cooking time, defrost time, weight or serving of food.

START /QUICK START

Touch to start a selected cooking program.

Simply press it once to begin express cooking without setting power level and cooking time. Repeatedly press the button to increase the cooking time.

STOP/CANCEL

Press once to temporarily stop cooking, or twice to cancel cooking altogether.

It is also used for setting child lock.

HOW TO SET THE OVEN CONTROLS

SETTING THE CLOCK

1. In standby mode, touch CLOCK pad once or twice to select 12-hour or 24-hour clock.
2. Turn TIME/WEIGHT dial to enter the hour digital.
3. Touch CLOCK pad to confirm.
4. Turn TIME/WEIGHT dial to enter the minute digital.
5. Touch CLOCK pad to confirm.

NOTE: You can check the clock time while cooking is in progress by touching the CLOCK pad.

QUICK START

With express cooking, you can touch the START/QUICK START button and then the oven will immediately work at full power level. Repeatedly press the START/QUICKSTART button to increase the cooking time. The longest time you can set is 10 minutes. 30 seconds will be added each time you press START/QUICK START button, even during the cooking process.

SETTING A COOKING PROGRAM

1. In standby mode, place food into oven and close it.
2. Press POWER to set power level.

Press POWER pad	Cooking power	Display
once	100%	100
twice	80%	80
3 times	60%	60
4 times	40%	40
5 times	20%	20
6 times	0%	00

3. Turn TIME/WEIGHT dial to set a cooking time. The longest time is 95 minutes.
4. Touch START/QUICK START to start cooking.

NOTE: During cooking or pause mode, press POWER pad once, the present power level will display.

WEIGHT DEFROST

The oven allows the defrosting of meat, poultry, and seafood. The time and the defrosting power are adjusted automatically once the weight is programmed. The range weight of frozen foods varies between 100g and 1800g.

FOR EXAMPLE: Suppose you want to defrost shrimp.

1. Place the shrimp to be defrosted into the oven.
2. Rotate the WEIGHT/TIME dial to enter the defrost mode.
3. Rotate the WEIGHT/TIME dial to indicate a weight.
4. Press the START/QUICK START button.

NOTE: During cooking, the oven will pause and beep to remind you to turn food over, then close the door and press START/QUICK START to resume.

MULTI-STAGE COOKING

Your oven can be programmed for up to 2 automatic cooking sequences.

Suppose you want to set the following cooking program.

Microwave Cooking



Microwave Cooking (with lower cooking power)

1. Input Microwave Cooking program.
2. Press MULTI STAGE COOKING button once.
3. Input another stage of Microwave Cooking program (with lower cooking power).
4. Press START/QUICK START.

AUTO COOK

For the following cooking mode, it is not necessary to program the duration and the cooking power. It is sufficient to indicate the type of food that you wish to cook as well as the weight of this food. In order to do this, press the AUTO COOK button to select a category of food/cooking mode. Then turn the TIME/WEIGHT dial to indicate weight of food to be cooked. The oven begins cooking once the START/QUICK START button is engaged.

For some programmes, in the middle of cooking time, the cooking programmer pauses and beeps to remind you to open the door and check its progress and turn the food over; To resume cooking, just close the door, and press START/QUICK START the oven will cook for the remaining time.

For example, to cook 400g of Seafood:

1. Press AUTO COOK repeatedly (6 times) to select corresponding food code.
2. Rotate the WEIGHT/TIME dial to indicate a weight of 400g.
3. Press the START/QUICK START button.

Auto Cook Menu

Food/cooking mode	NOTE: The result of auto cook depends on factors such as fluctuation of voltage, the shape and size of food, your personal preference and even how well you happen to place food in the oven. For milk/coffee, potato, parameters are not food weight but number of servings (as indicated). For popcorn, there is only one option. For spaghetti and rice, add boiling water before cooking.
01. Milk/Coffee (200ml/amount)	
02. Rice (g)	
03. Spaghetti (g)	
04. Potatoes (230g/amount)	
05. Auto Reheat(g)	
06. Fish (g)	
07. Pizza(g)	
08. Popcorn (100g)	

CHILD LOCK

Use to prevent unsupervised operation of the oven by children. The CHILD LOCK indicator will show up on display screen, and the oven can not be operated while the CHILD LOCK is set.

To set the CHILD LOCK: Press and hold the STOP/CANCEL button for 3 seconds, a beep sounds and the lock indicator lights.

To cancel the CHILD LOCK: Press and hold the STOP/CANCEL button for 3 seconds until lock indicator on display goes off.

CLEANING AND CARE

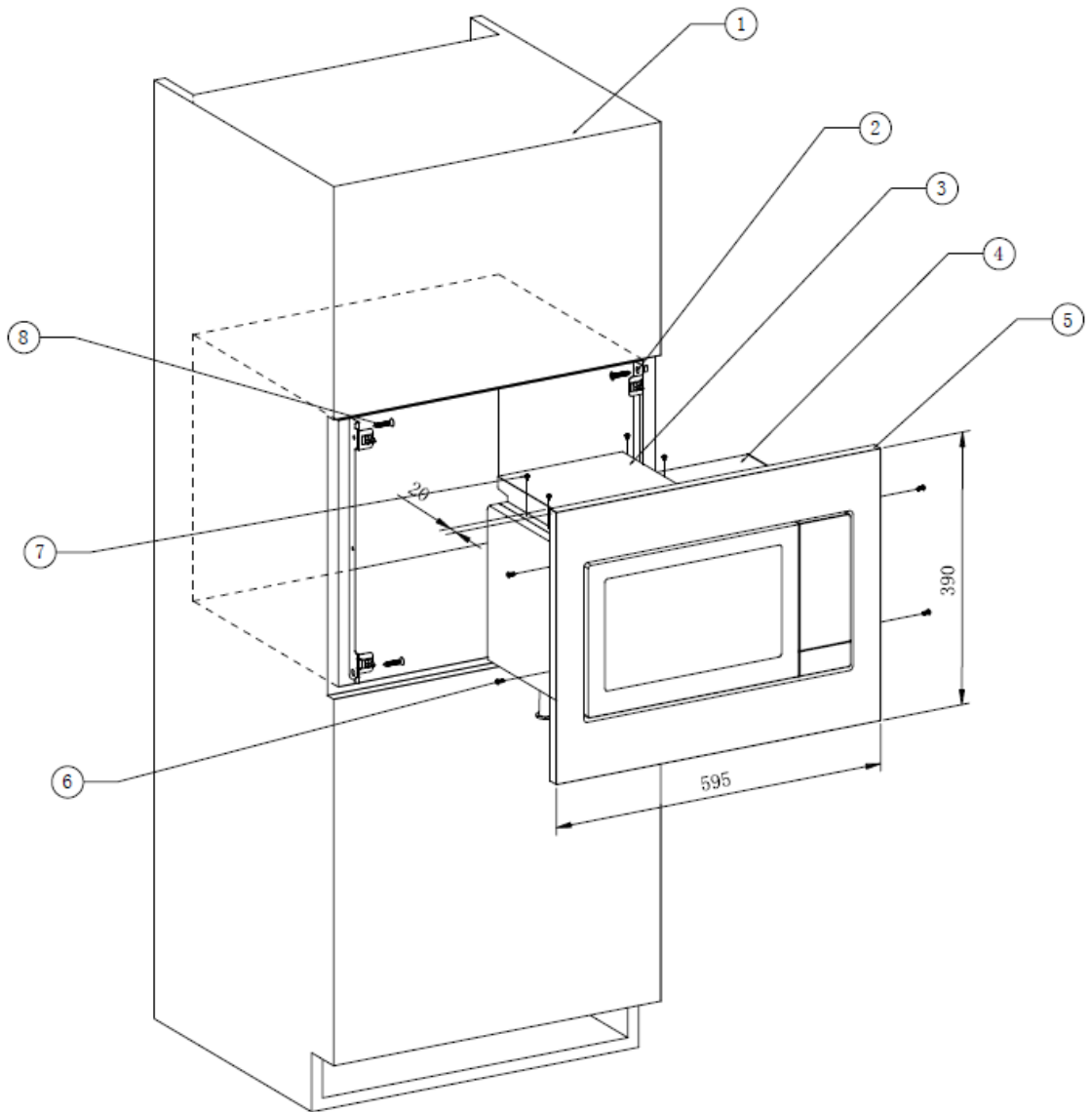
1. Turn off the oven and remove the power plug from the wall socket before cleaning.
2. Keep the inside of the oven clean. When food splatters or spilled liquids adhere to oven walls, wipe with a damp cloth. Mild detergent may be used if the oven gets very dirty. Avoid the use of spray and other harsh cleaners as they may stain, streak or dull the door surface.
3. The outside surfaces should be cleaned with a damp cloth. To prevent damage to the operating parts inside the oven, water should not be allowed to seep into the ventilation openings.
4. Wipe the door and window on both sides, and the door seals and adjacent parts frequently with a damp cloth to remove any spills or splatters. Do not use abrasive cleaners.
5. Do not allow the control panel to become wet. Clean with a soft, damp cloth.
6. If steam accumulates inside or around the outside of the oven door, wipe with a soft cloth. This may occur when the microwave oven is operated under high humidity condition. This it is normal.
7. It is occasionally necessary to remove the glass tray / turn-table for cleaning. Wash the tray in warm sudsy water or in a dishwasher.
8. The roller ring and oven floor should be cleaned regularly to avoid excessive noise. Simply wipe the bottom surface of the oven with mild detergent. The roller ring may be washed in mild sudsy water or dishwasher. When removing the roller ring from cavity floor for cleaning, be sure to replace in the proper position.
9. Remove odours from your oven by combining a cup of water with the juice and skin of one lemon in a deep microwaveable bowl, microwave for 5 minutes. Wipe thoroughly and dry with a soft cloth.
10. When it becomes necessary to replace the oven light, please consult Customer Services to have it replaced.
11. The oven should be cleaned regularly and any food deposits removed. Failure to maintain the oven in a clean condition could lead to deterioration of the surface that could adversely affect the life of the appliance and possibly result in a hazardous situation.

12. The packaging materials that we use are environmentally friendly and can be recycled.



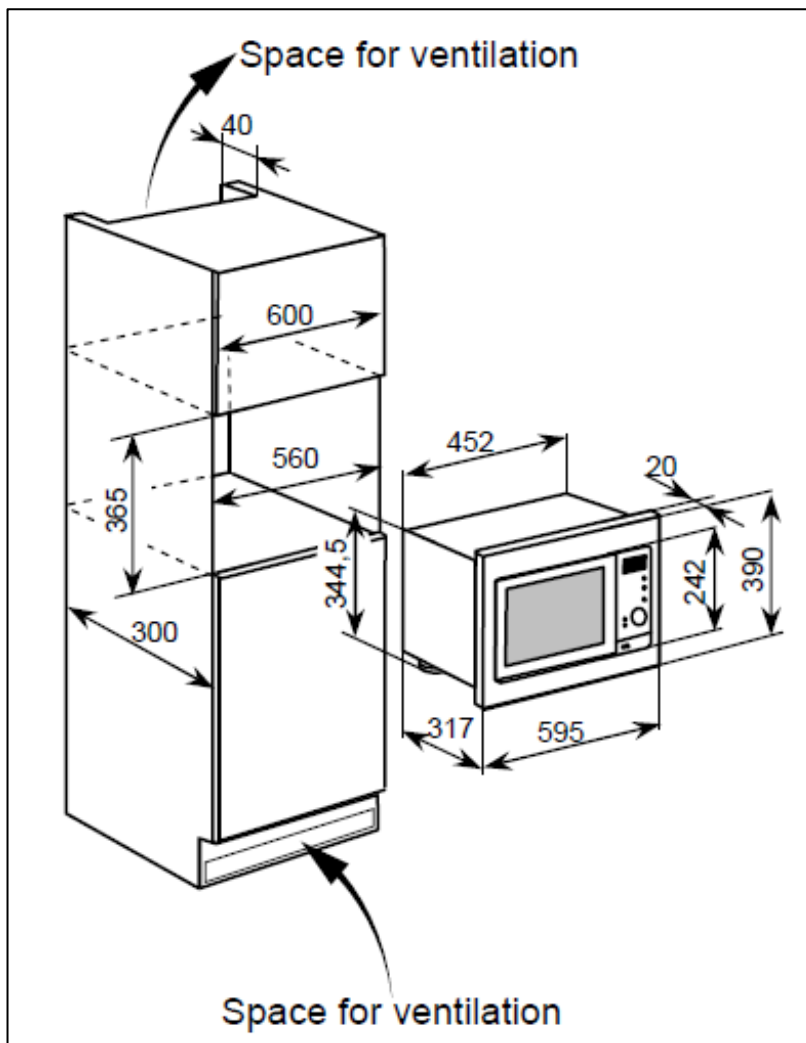
13. **Please do not dispose this appliance in the domestic rubbish bin. It should be disposed to the particular disposal centre provided by the local waste authority. Disposal must be carried out in accordance with local environmental regulations for waste disposal.**

Built-in installation instructions:

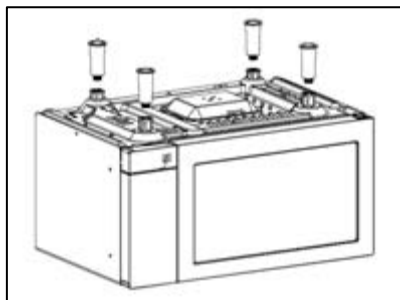


1. Cabinet
2. Frame fastener (x2)
3. Heat channel
4. Microwave oven
5. Frame kit
6. Screw 4x10 (x4)
7. Screw 4x8 (x4)
8. Screw 4x16 (x4)

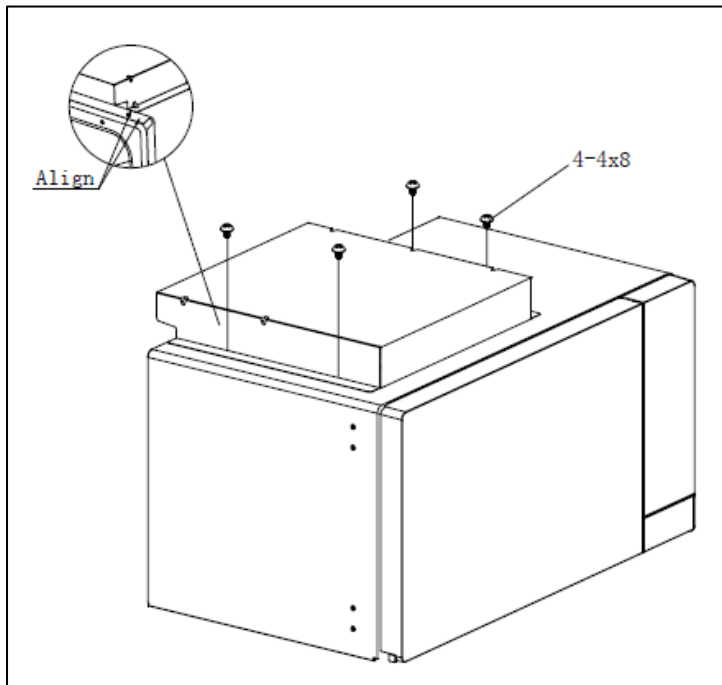
Make a cut out in the cabinet as per the below dimensions. Make sure you include the cut outs for ventilation.



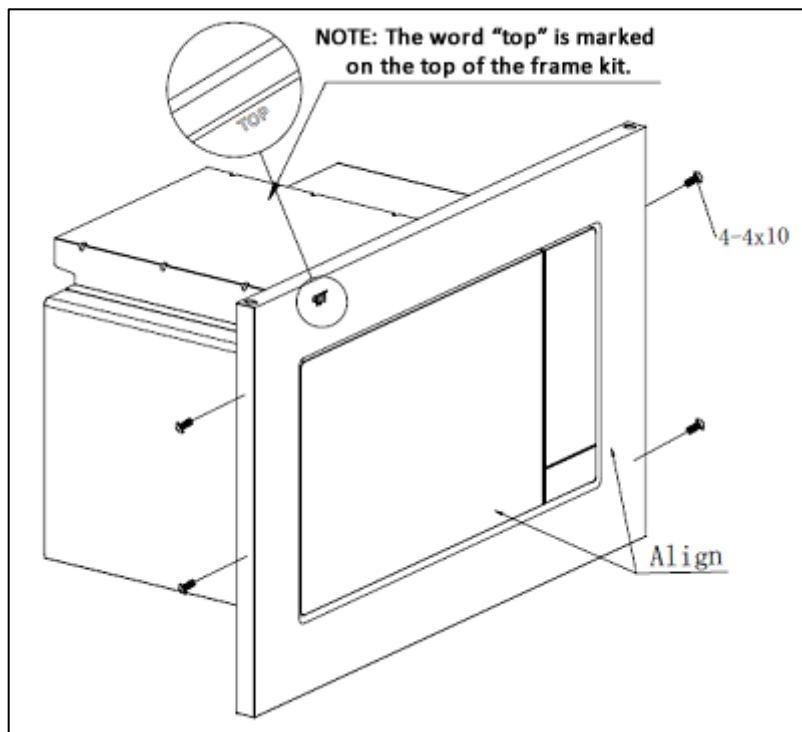
Turn the oven over and place on a cushioned surface. Then attach the feet.



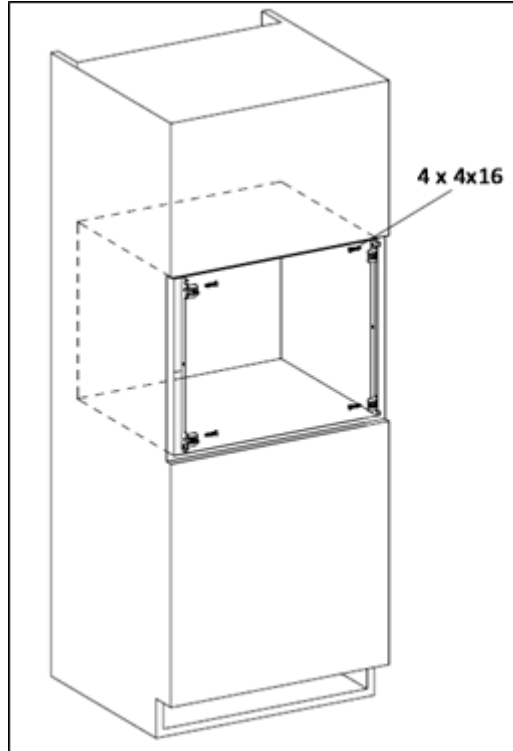
Fasten the heat channel to the top of the microwave using the 4 screws (4x8).



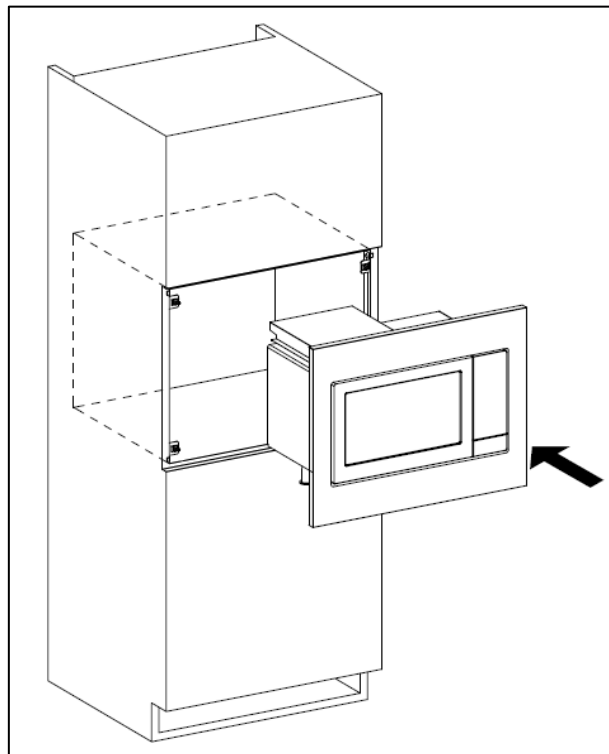
Fasten the frame kit to the front of the microwave using the screws provided (4x10):



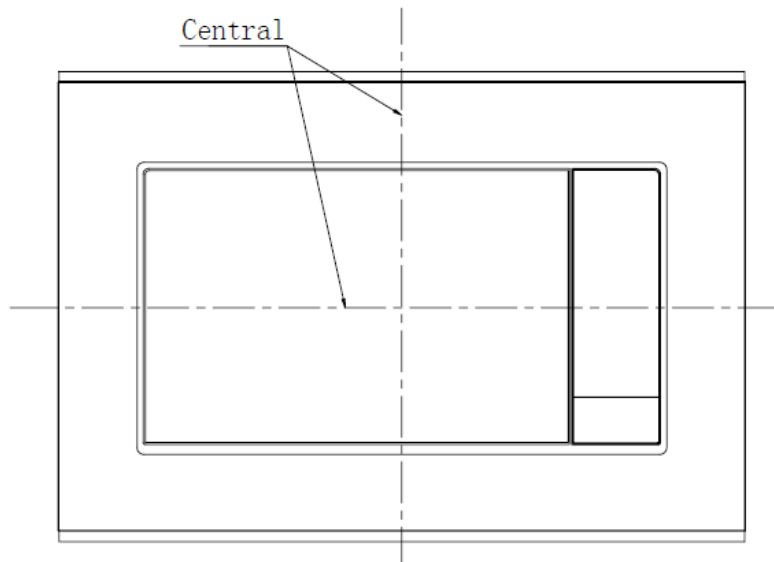
Attach the 2 frame fasteners to the cabinet using the screws provided (4 x 4x16)



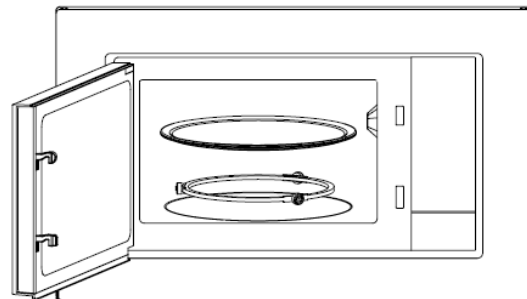
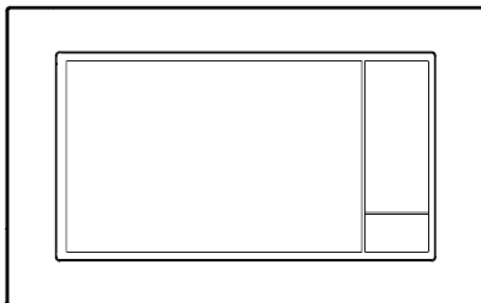
Install the microwave into the aperture, ensuring the clips on the frame kit secure to the frame fasteners. You can adjust the feet on the oven to aid alignment.



Ensure that the oven is central



Installation complete.





IMPORTANT: If your appliance appears not to be operating correctly, then you should disconnect it from your mains supply and then contact the Customer Care Department.

DO NOT ATTEMPT TO REPAIR THE APPLIANCE YOURSELF.

Please note that if an engineer is asked to attend whilst the product is under guarantee and finds that the problem is not the result of an appliance fault, then you may be liable for the cost of the call out charge.

The appliance must be accessible for the engineer to perform any necessary repair. If your appliance is installed in such a way that an engineer is concerned that damage will be caused to the appliance or your kitchen, then they will not complete a repair.

This includes situations where appliances have been tiled in, sealed in with sealant, have wooden obstructions placed in front of the appliance, like plinths. Or any installation other than the one specified by the manufacturer has been completed.

IMPORTANT: The manufacturer operates a policy of continuous improvement and reserves the right to adjust and modify its products without prior notification.



United Kingdom

Baumatic Ltd.,
Baumatic Buildings,
6 Bennet Road,
Reading, Berkshire
RG2 0QX
United Kingdom

Sales Telephone

(0118) 933 6900

Sales Fax

(0118) 931 0035

Customer Care Telephone

(0118) 933 6911

Customer Care Fax

(0118) 986 9124

Spares Telephone

(01235) 437244

Advice Line Telephone

(0118) 933 6933

E-mail:

sales@baumatic.co.uk
customercare@baumatic.co.uk
spares@baumatic.co.uk
technical@baumatic.co.uk

Website:

www.baumatic.co.uk

Facebook:

www.facebook.com/baumatic.uk

Republic of Ireland

Service Telephone

1-890 812 724

Spares Telephone

091 756 771

Czech Republic

Baumatic CR spol s.r.o.
Lípová 665
460 01 Liberec 4
Czech Republic

+420 483 577 200

www.baumatic.cz

Slovakia

Baumatic Slovakia, s.r.o.
Panenská 34
811 03 Bratislava - Staré Mesto
Slovakia

+421 255 640 618

www.baumatic.sk

Germany

+49 (0) 5223 99408 0

www.baumatic.de

Italy

Baumatic Italia S.R.L.
Via Galvani N.3
35011 Campodarsego (PD)

+3904 9920 2297

www.baumatic.it

Holland

Baumatic Benelux B.V.
Dukdalfweg 15d
1332 BH ALMERE
Nederland

+31(0)36 549 1553

www.baumatic.nl

