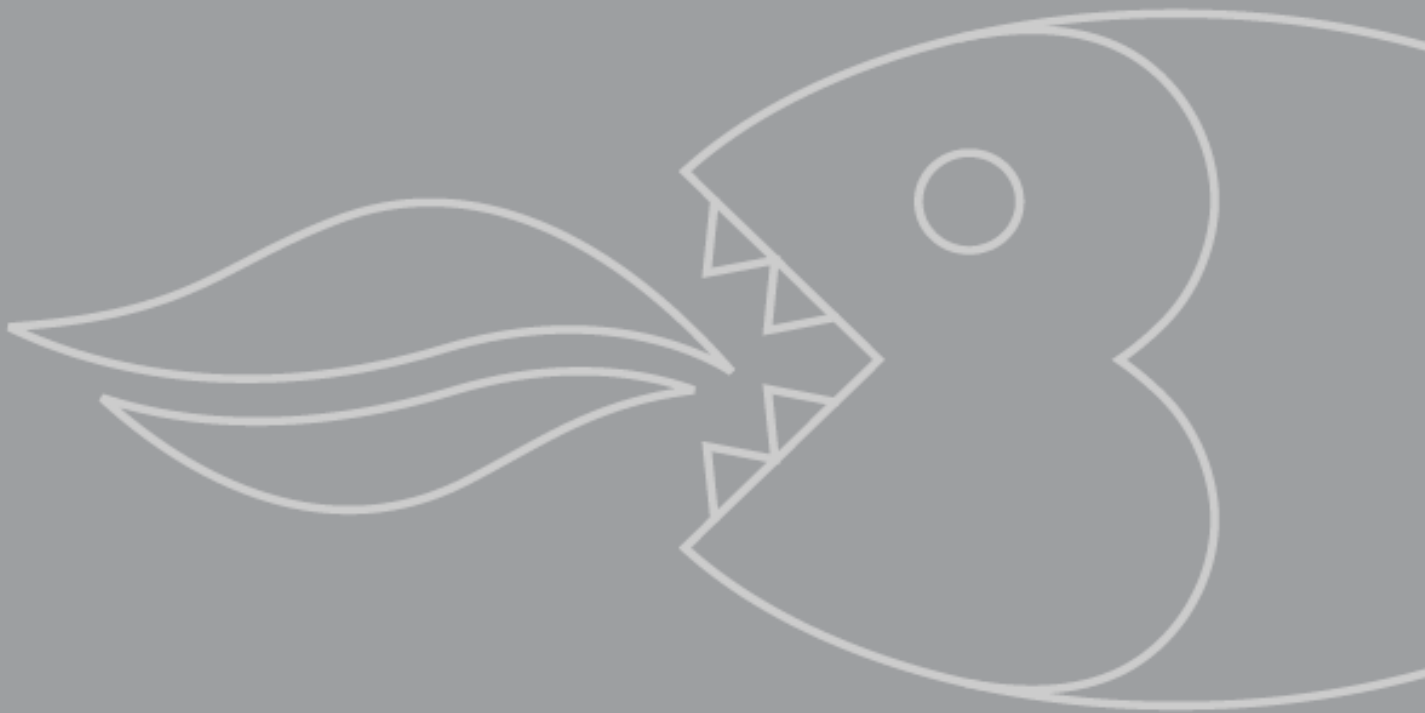


**BEO910BGL**  
**90 cm Glass Chimney**  
**Hood**

**INSTRUCTION MANUAL**



# User Manual for your Baumatic

## **BE0910BGL**

**90 cm Glass Chimney hood**



***NOTE: This User Instruction Manual contains important information, including safety & installation points, which will enable you to get the most out of your appliance. Please keep it in a safe place so that it is easily available for future reference; for you or any person not familiar with the operation of the appliance.***

GS 31/01/12


<b>Environmental note</b>	4
<b>IMPORTANT SAFETY INFORMATION</b>	5 – 7
<b>Specifications of your cooker hood</b>	8
<b>Using your cooker hood</b>	9 – 11
Turning on the cooker hood	9 – 10
Speed selection	10
Light control	10
The timer	11
Turning off the cooker hood	11
<b>Cleaning your Baumatic cooker hood</b>	12 – 13
Cleaning	12
The grease filters	12 - 13
<b>Maintenance</b>	13 - 17
Removing and cleaning the grease filters	13 - 14
Changing a light bulb	14 - 15
Fitting the carbon filters	16 - 17
<b>Installation</b>	17 - 24
Electrical connection	17 - 18
Before beginning installation	18 - 19
Extraction mode or recirculation mode?	19
Installing your cooker hood	20 - 21
Connecting to external ducting	21 - 22
Fitting the optional chimney sections (CQ4SS)	22 – 24
Completing the installation	24
<b>Troubleshooting</b>	25 - 26
<b>Baumatic consumables</b>	27
<b>Contact details</b>	28

## ENVIRONMENTAL NOTE

*Note: Before discarding an old appliance, switch off and disconnect it from the power supply. Cut off and render any plug useless. Cut the cable off directly behind the appliance to prevent misuse. This should be undertaken by a competent person.*

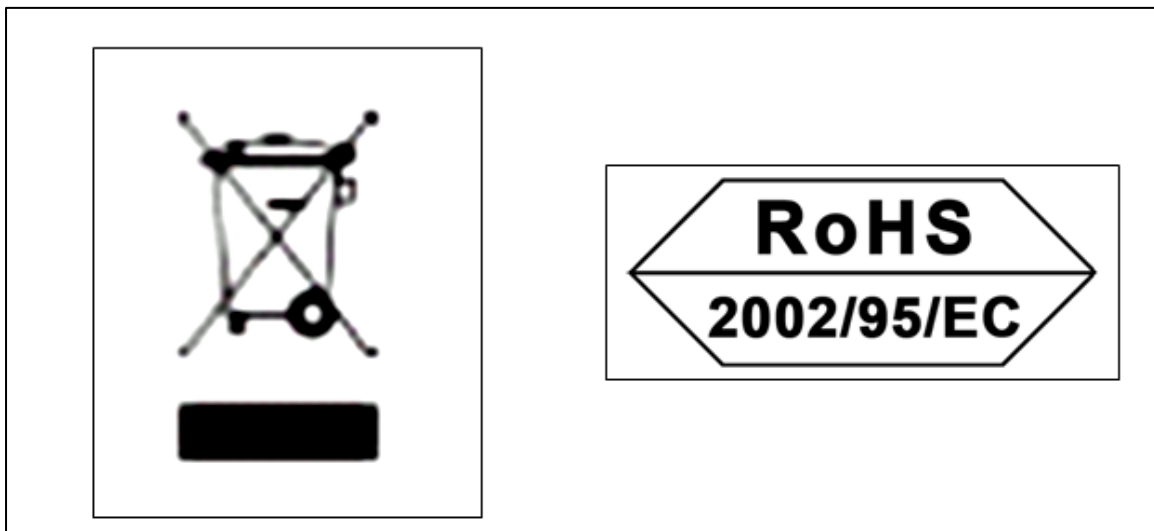
### CONFORMITY TO W.E.E.E. DIRECTIVE

**This appliance is marked according to the European directive 2002/96/EC on Waste electrical and Electronic Equipment (WEEE). By ensuring this product is disposed of correctly, you will help prevent potential negative consequences for the environment and human health, which could otherwise be caused by inappropriate waste handling of this product.**

The symbol  on the product, or on the documents accompanying the product, indicates that this appliance may not be treated as household waste. Instead it shall be handed over to the applicable collection point for the recycling of electrical and electronic equipment.

**Disposal must be carried out in accordance with local environmental regulations for waste disposal.**

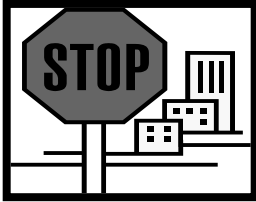
**For more detailed information about treatment, recovery and recycling of this product, please contact your local city office, your household waste disposal service or the shop where you purchased the product.**



## IMPORTANT SAFETY INFORMATION



Your safety is of the utmost importance to Baumatic. Please make sure that you read this instruction booklet **before** attempting to install or use the appliance. If you are unsure of any of the information contained in this booklet, please contact the Baumatic Customer Care Department.



**IMPORTANT: Any installation work must be carried out by a qualified electrician or competent person.**

- The hood must be installed in accordance with the installation instructions and all measurements followed.
- If the cooker hood is installed for use above a gas appliance then the provision for ventilation must be in accordance with the Gas Safety Codes of Practice BS.6172, BS.5440 & BS.6891 (Natural Gas) and BS.5482 (LP Gas) 1994, the Gas Safety (Installation & Use) Regulations, the Building Regulations issued by the Department of the Environment, the Building Standards (Scotland) (Consolidated) Regulations issued by the Scottish Development Department.
- It is dangerous to alter the specifications or to modify this product. Do not tamper with it or attempt to modify the appliance in any way.
- When installing the hood, ensure that the following recommended distances are observed between the highest point on the hob top (including the burners) and the bottom of the cooker hood:

- **Electric cookers:**                      **700 mm**
- **Gas cookers:**                              **700 mm**
- **Coal/ oil cookers:**                      **800 mm**



**IMPORTANT: DO NOT SET YOUR COOKER HOOD LESS THAN 700mm ABOVE YOUR COOKER.**

- When installed between adjoining wall cabinets, the cabinets must not overhang the hob.

- The edges of the cooker hood are sharp – be mindful of this as you handle your appliance, especially during installation and cleaning. **DO NOT CLEAN IN BEHIND THE GREASE FILTERS!**
- If the room where the cooker hood is to be used contains a fuel burning appliance such as a central heating boiler then its flue must be of the sealed or balanced flue type.
- If other types of flue or appliances are fitted, ensure that there is an adequate supply of air in the room.
- When the hood is being used in its extractor function, ensure that the ducting is fire retardant and that there are no bends sharper than 90 degrees as this will reduce the efficiency of the hood.
- Ensure the ducting for the extractor function has the same diameter as the outlet hole all the way through.
- Keep young children from using, playing with or tampering with the cooker hood. Older children and infirm persons should be supervised if they are using the cooker hood.



- Your cooker hood is for domestic use only.

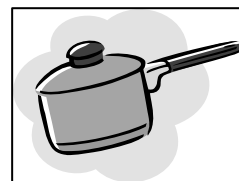


- Please dispose of the packing material carefully – children are especially vulnerable to it.

- Dirty oil is an even greater fire risk.

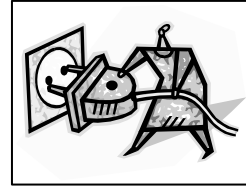


- Always put lids on pots and pans when cooking on a gas cooker.



- The manufacturer refuses to accept any responsibility for damages arising to the hood or it catching on fire, from a failure to observe the fire safety advice contained in this instruction booklet.

- Remember that when in extraction mode, your cooker hood is removing air from your room. Ensure that proper ventilation measures are being observed.
- **Note: Your cooker hood is designed to remove cooking odours from the room and not steam.**
- **Warning - Always ensure that the cooker hood has been disconnected from the power supply before carrying out any work on the hood, including replacing light bulbs.**



- Do not connect the ducting system of this appliance to any existing ventilation system which is being used for any other purpose.
- Do not install above a cooker with a high level grill.

- Never leave frying pans unattended during use as overheated fats and oils might catch fire.

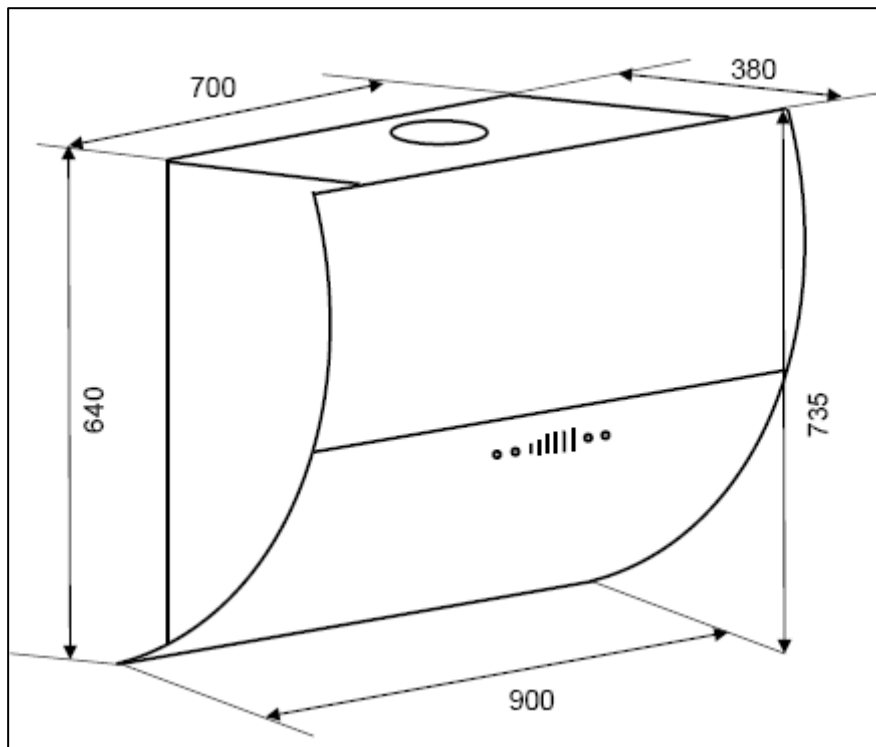


- The lights on this appliance should only be used during operation of the cooker hood. They should not be left on permanently and used as a lighting source.
- The cooker hood should not be exposed to a direct heat source from the cooking device underneath it, i.e. a naked flame from a gas burner or heat from electric hob zones without a pan on them.
- Do not attempt to use the cooker hood if it is damaged in any way. Never attempt to use it without the grease filters fitted or if the filters are excessively greasy!
- Never flambé cook under this cooker hood.

**THE MANUFACTURER DECLINES ALL RESPONSIBILITY IN THE EVENT OF FAILURE TO OBSERVE THE INSTRUCTIONS GIVEN HERE, FOR INSTALLATION, MAINTENANCE AND SUITABLE USE OF THE HOOD.**



## Specifications of your cooker hood



### PRODUCT DIMENSIONS

Height: 735 mm  
Width: 900 mm  
Depth: 380 mm

### Your cooker hood is fitted with:

- Integrated centrifugal motor
- LCD display
- Touch control operation
- 4 Speeds
- Cut-off timer
- 2 x Washable aluminium grease filters
- 2 x LED lights
- Non-return air-flow flap
  
- **Extraction capacity:** 1000 m<sup>3</sup>/hr
- **Optional extras:** 1 x pair S1 Carbon filters required for recirculation  
CQ4SS Decorative Chimney Cover



## Using your cooker hood

- Make sure that it has been installed by a suitably qualified person, as per the information contained in Baumatic's installation instructions.
- There are several buttons on the control panel, which perform separate functions.



Timer button



Light control button



Speed selection button



Power button



Slider control

## Turning on the cooker hood

- After you have connected the cooker hood to the mains supply the backlight will turn on. The backlight will turn off after 5 seconds and the hood will enter stand-by mode.



- Press and hold the power button for 3 seconds to turn the cooker hood on. The decorative cover will open and the speed selection and power indicators will light. The first two steps of the slider control will also light.

- All the cooker hood functions can only be used when the decorative cover is open.



**IMPORTANT: IDEALLY YOU SHOULD TURN ON YOUR HOOD TEN MINUTES BEFORE YOU START TO COOK,**

**OR AT THE VERY LEAST WHEN YOU BEGIN COOKING. YOU SHOULD ALSO RUN YOUR HOOD FOR TEN MINUTES AFTER YOU HAVE FINISHED COOKING.**

### Speed selection



- Press the speed selection button to turn the speed selection function on and off. When you have turned the speed selection function on, you can then use the slider control to choose an operating speed for the motor.



- The slider control has a total of 4 settings and 8 indicator lights so each speed has 2 correlating indicator lights.
- When you use the slider control to choose a speed the cooker hood will operate at the selected speed. If no adjustments are made after 15 seconds the indicator lights will turn off and the hood will operate at the chosen speed.
- The next time you use your cooker hood, the motor will operate at the previously selected speed.

### Light control



- Press the light control button to switch the LED lights on and off.
- After you have pressed the light control button to turn the lights on, you can then use the slider control to adjust the brightness of the lights.



- There are 8 light brightness settings on the slider control with an indicator light for each setting. If no adjustments are made after 15 seconds the indicator lights will turn off and the LED lights will operate at the chosen brightness.
- The next time you use your cooker hood, the lights will operate at the previously selected brightness.

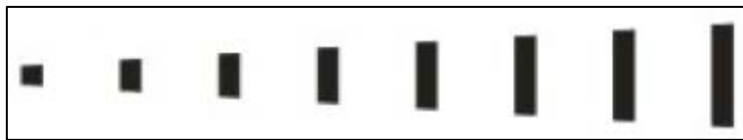
## The timer

- You are able to program a countdown time for the cooker hood. After the set time has elapsed the hood will automatically switch off.



- After you have selected your desired speed and light brightness, press the timer button to enter the timer setting mode.
- You can then use the slider control to choose from 8 timer settings. There is an indicator light for each timer setting. You can choose from:

**5 – 10 – 15 – 20 – 25 – 30 – 35 – 40 minutes**



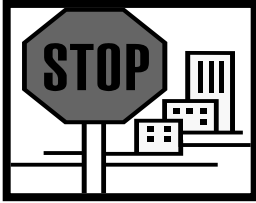
- When the indicator light for the required setting is lit press the timer button again to confirm the countdown time. Or the time will set after 5 seconds.
- ***IMPORTANT: After the countdown time has been set, if the speed or light brightness is altered the timer setting will be automatically cancelled.***
- When the countdown time is reached the hood will stop operating.
- The next time you use your hood and press the timer button the hood will enter into the previously set countdown time.

## Turning off the cooker hood



- Press and hold the power button for 3 seconds to turn the cooker hood off. The decorative cover will close and all the functions will turn off.

## Cleaning your Baumatic cooker hood



**IMPORTANT: BEFORE CLEANING, ALWAYS ENSURE THAT YOU HAVE SWITCHED YOUR COOKER HOOD OFF AT THE OMNI-POLAR SWITCH, SET AT THE WALL FROM THE CABLE.**

### Cleaning

- Clean the external parts of your cooker hood with mild liquid detergent and a new damp cloth.
- Never use abrasive powder, corrosive solvents or brushes.
- Never insert pointed objects into the motor's protective grid.
- Only clean the control panel and grease filter grill with mild liquid detergents and a new damp cloth.
- If you are using the appliance in recirculation mode, then be sure to replace the carbon filter at the recommended interval (see section on "Fitting the carbon filter"). A build up of grease could cause a fire hazard.
- Never attempt to clean the area above the grease filter(s).
- **IMPORTANT: You should regularly use a good quality stainless steel cleaner to maintain the shine and finish on the stainless steel areas of your cooker hood.**
- This will help to leave a silicone water-resistant film to protect the stainless steel surfaces and keep them in good condition for the life of the product.

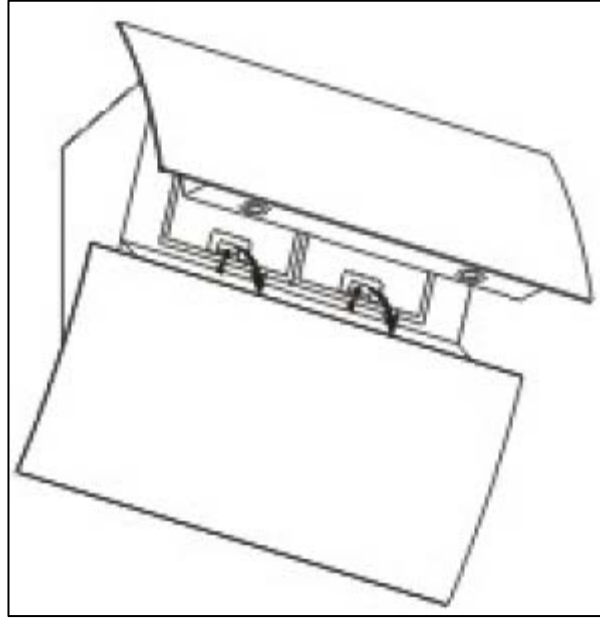
### The grease filters

- Your cooker hood includes grease filters which help to absorb grease particles to protect your kitchen and furniture from greasy residues.
- These aluminium filters may become inflammable if they become saturated with this greasy residue.
- To prevent this fire hazard, the filters should be cleaned regularly. Depending on use, this should be done every 10-15 days or at least once a month, using hot water and normal washing-up detergent.

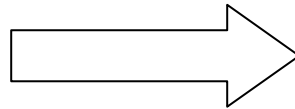
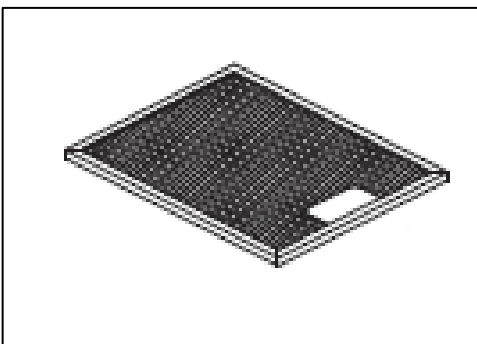
- **DO NOT WASH THE GREASE FILTERS IN A DISHWASHER.**

## Maintenance

### Removing and cleaning the grease filters

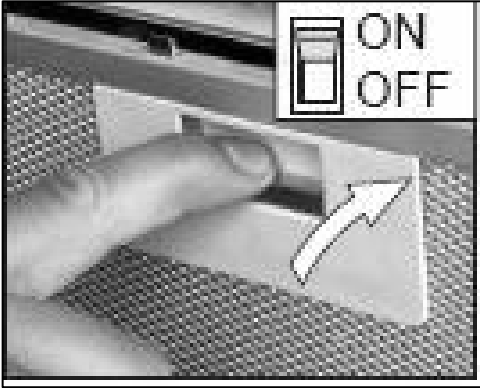


- Press and hold the power button for 3 seconds to open the decorative cover and allow access to the grease filters.
- Remove the grease filters by pulling down on the handle and pulling them away from the cooker hood.



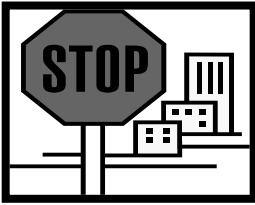
- Soak the grease filters in hot water and washing up liquid for at least 3 minutes. Then use a soft brush to loosen any grease deposits that have formed.
- Rinse the grease filters off thoroughly with hot water.

- Repeat the process if required.



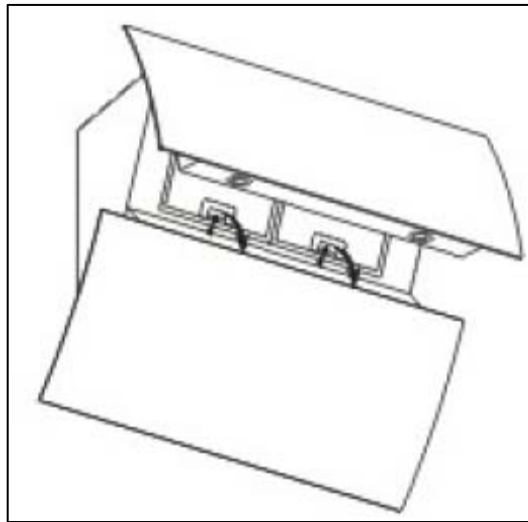
- Refit the grease filters once they have dried and press and hold the power button for 3 seconds to close the decorative lid.
- **IMPORTANT: Let the grease filters dry thoroughly before refitting them in the cooker hood.**

### Changing a light bulb

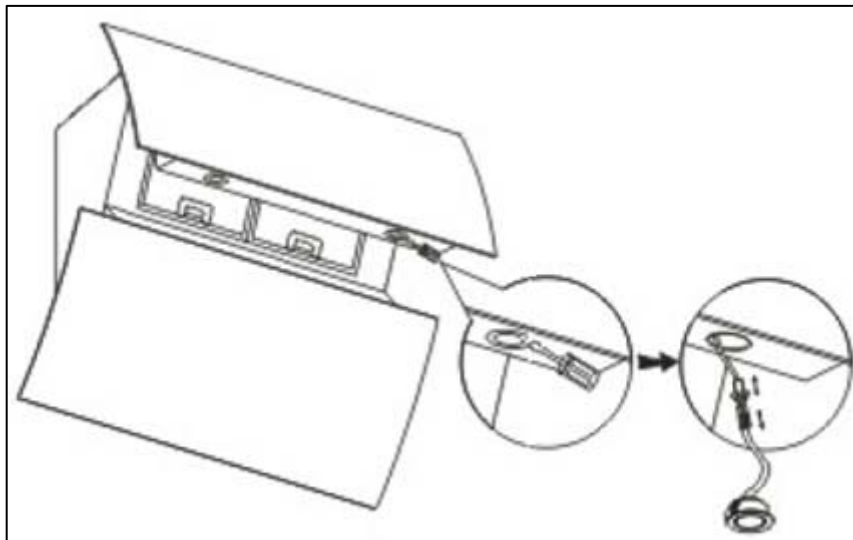


**IMPORTANT: BEFORE ATTEMPTING TO CHANGE A LIGHT BULB, YOU MUST ENSURE THAT YOU HAVE DISCONNECTED THE COOKER HOOD FROM YOUR MAINS SUPPLY.**

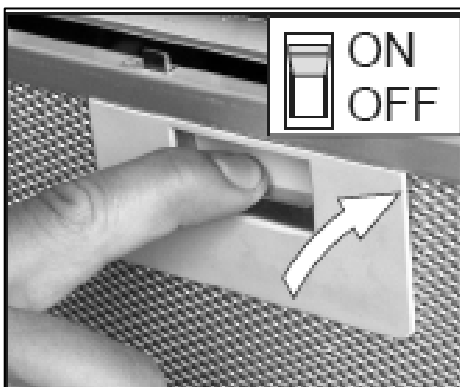
- Prior to touching the light bulbs ensure they are cooled down.



- First open the decorative cover and remove the grease filters (as previously described). When the decorative cover is open, disconnect the cooker hood from your mains supply. The cover will stay open.
- Use a screwdriver to lift out the LED light and then disconnect the light wiring point as shown in the diagram on the next page.



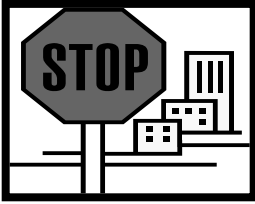
- Fit the replacement bulb in the same manner as the original and reconnect the light wiring point.
- **IMPORTANT:** Defective bulbs should be replaced immediately.
- If the light or lights still do not work, make sure that the lamps are fitted properly into their housings before you call for technical assistance.



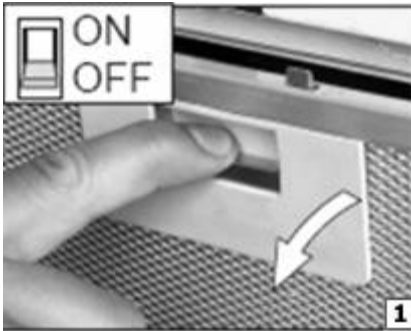
- Refit the grease filters and reconnect the cooker hood to your mains supply in order to close the decorative cover.

## Fitting the carbon filters

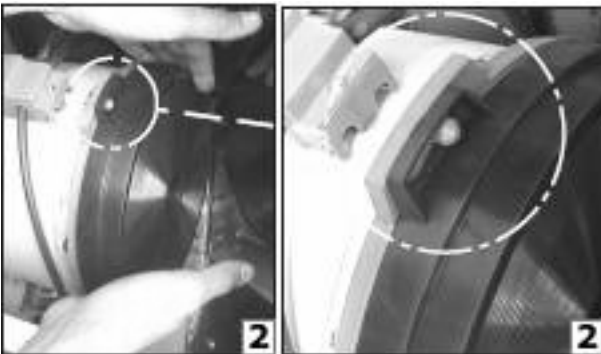
If the appliance is to be used in recirculation mode then it is necessary to fit carbon filters. This will help to absorb unpleasant odours caused by cooking.



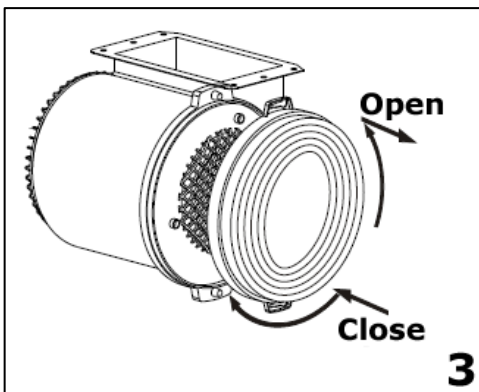
**IMPORTANT: BEFORE ATTEMPTING TO FIT OR REMOVE THE CARBON FILTERS, YOU MUST ENSURE THAT YOU HAVE DISCONNECTED THE COOKER HOOD FROM YOUR MAINS SUPPLY.**



1) First open the decorative cover and remove the grease filters (as previously described). When the decorative cover is open, disconnect the cooker hood from your mains supply. The cover will stay open.



2) Hook the carbon filter over the pins that are located at the end of the motor.



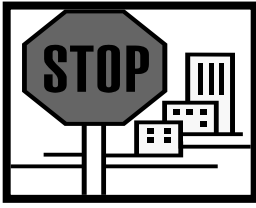
3) Turn the carbon filter anticlockwise, until you feel it click into place.

- Repeat this process for the second carbon filter. You need to place a carbon filter at either end of the motor.
- Refit the grease filters and reconnect the cooker hood to your mains supply in order to close the decorative cover.

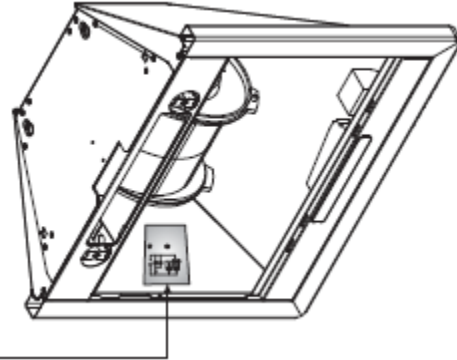
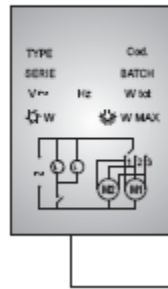
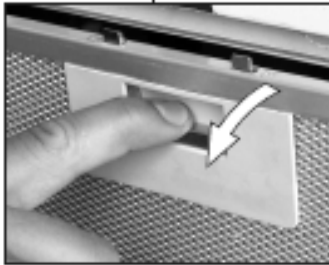


- The carbon filters should be replaced every 3 - 6 months or if they show signs of damage.

## Installation



**IMPORTANT:** Before installation and usage read all the instructions and make sure that the voltage (V) and the frequency (Hz) indicated on the rating plate are exactly the same as the voltage and frequency in your home. The rating plate can be found behind the grease filters.



The manufacturer declines all responsibility in the event of the installer failing to observe all the accident prevention regulations in force, which are necessary for normal use and the regular operation of the electric system.

### Electrical connection

**YOUR COOKER HOOD IS INTENDED FOR FITTED AND PERMANENT INSTALLATION.**



- The cooker hood's power cable must be fitted upstream from the electrical connection, using an omni-polar switch with a contact distance of at least 3 mm. **THE FUSE MUST BE RATED AT 3 AMPS.**

**WARNING: THIS APPLIANCE MUST BE EARTHED.** It should only be connected by a competent person, using fixed wiring via a double pole switched fused spur outlet. (UK ONLY).

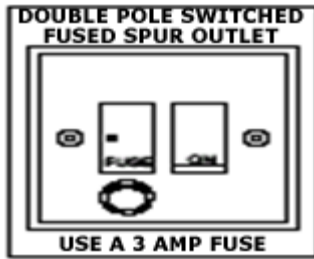


We recommend that the appliance is connected by a qualified electrician, who is a member of the N.I.C.E.I.C. and who will comply with the I.E.E. and local regulations. The wires in the mains lead are coloured in accordance with the following UK code:

**Blue = Neutral, Brown = Live, Green/Yellow = Ground**

***If you only find two wires in the main's lead (blue and brown), then neither must be connected to the earth terminal.***

- As the colours of the wires in the appliance's mains lead may not correspond with the coloured markings identifying the terminals in your spur box, please proceed as follows:



- The ***blue wire*** must be connected to the terminal marked "N" (neutral), or coloured **black**.
- The ***brown wire*** must be connected to the terminal marked "L" (live), or coloured **red**.

### **Before beginning installation**

- Check that the product purchased is of a suitable size for the chosen installation area. In addition check whether there is an electrical socket available that will be accessible once the hood is mounted. If the product is going to be used in extraction mode, then there should also be space to connect a ducting hose to the outside.
- Carry out all necessary masonry work prior to the fitting of the cooker hood.
- Ensure that all electrical connections are carried out by a suitably qualified person.
- Before commencing installation of the cooker hood the grease filter should be removed.
- Check inside the product and insure that there is no transit packaging or any other materials, such as packets of screws, guarantees etc. These should be removed and kept for future use.
- If possible, disconnect and move freestanding or slot-in cookers from their position, to provide easier access to the rear wall and ceiling. If this is not possible, then a thick, protective covering should be placed over the worktop, hob top or cooker. This will help to protect these surfaces from damage and debris.
- Select a flat surface for assembling the cooker hood. Cover that surface with a protective covering and place all cooker hood parts and fittings on it.

- In addition check whether there is an electrical socket available, which will be accessible after the hood is mounted. If you are going to use the appliance in extractor mode, you should also ensure that there is space to connect a fumes discharge device to the outside.
- Rawl plugs are provided to secure the hood to most types of walls and ceilings. However a qualified technician must verify the suitability of the materials, in accordance with the type of wall and ceiling. The wall and ceiling must be strong enough to take the weight of the hood.
- Do not tile, grout or silicone this appliance to the wall. This appliance is designed to be surface mounted only.

## **Extraction mode or recirculation mode?**



***IMPORTANT: YOU WILL HAVE TO DECIDE BEFORE INSTALLING YOUR COOKER HOOD WHETHER TO USE IT IN EXTRACTION MODE OR RECIRCULATION MODE.***

### ***What is the difference between extraction and recirculation modes?***

In extraction mode, the stale air will be taken out of the room via external ducting.

In recirculation mode stale air is taken via the grease filter(s), and passed through a charcoal filter for purification. The air then re-enters the kitchen via an opening in the hood.

For optimum performance, we recommend that the cooker hood is used in extraction mode and connected to external ducting.

Unfortunately if you live in a flat or the hood is too far from an outside wall, this may not be possible. The only alternative is to recirculate the air.

### ***Do I need a charcoal filter?***

All cooker hoods have a grease filters but if you are using your cooker hood in recirculation mode, then a charcoal filter must be fitted in addition to the grease filters.

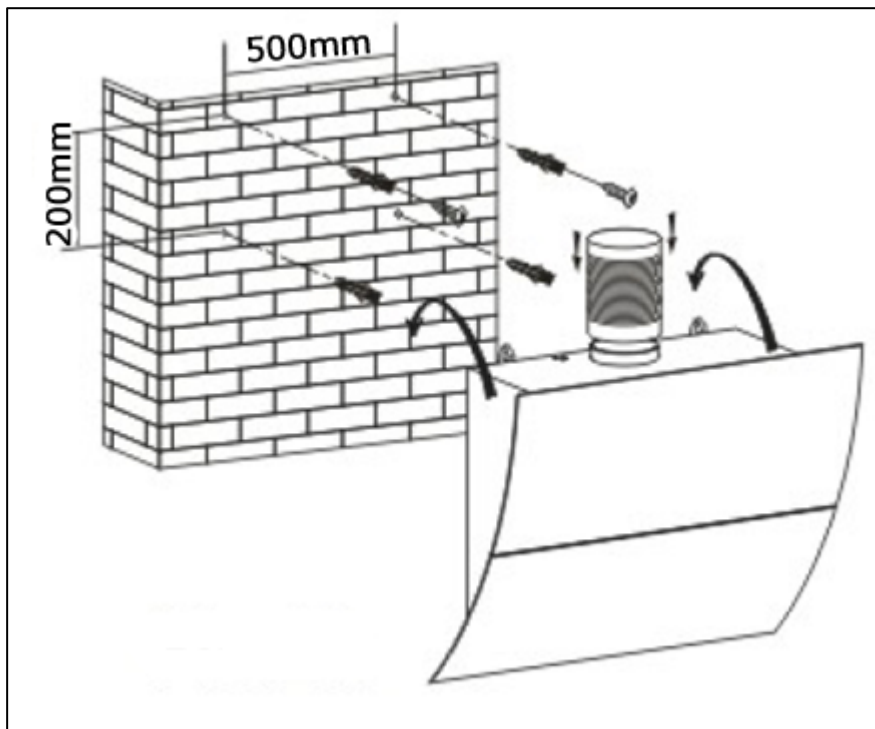
## Installing your cooker hood



- *We recommend that at least two people install this hood.*

- *Please note that the styles of cooker hood shown in the line drawings on the following pages are sometimes different to the shape of the BEO910BGL. However the installation method shown is correct and **MUST** be followed.*

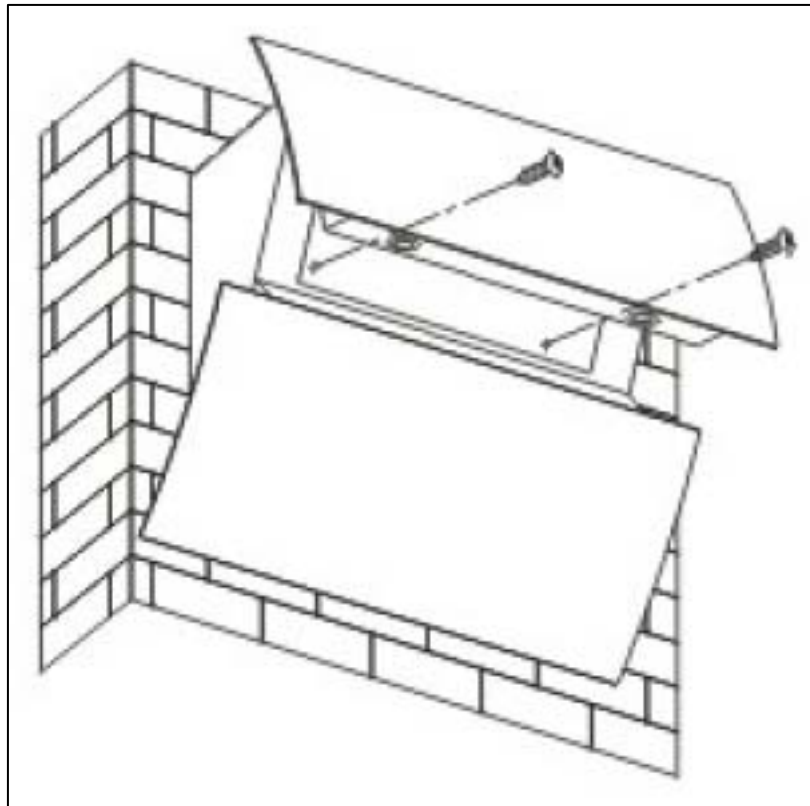
**IMPORTANT: YOUR COOKER HOOD SHOULD BE CONNECTED TO YOUR MAINS SUPPLY AFTER THE REST OF THE INSTALLATION PROCESS HAS BEEN COMPLETED.**



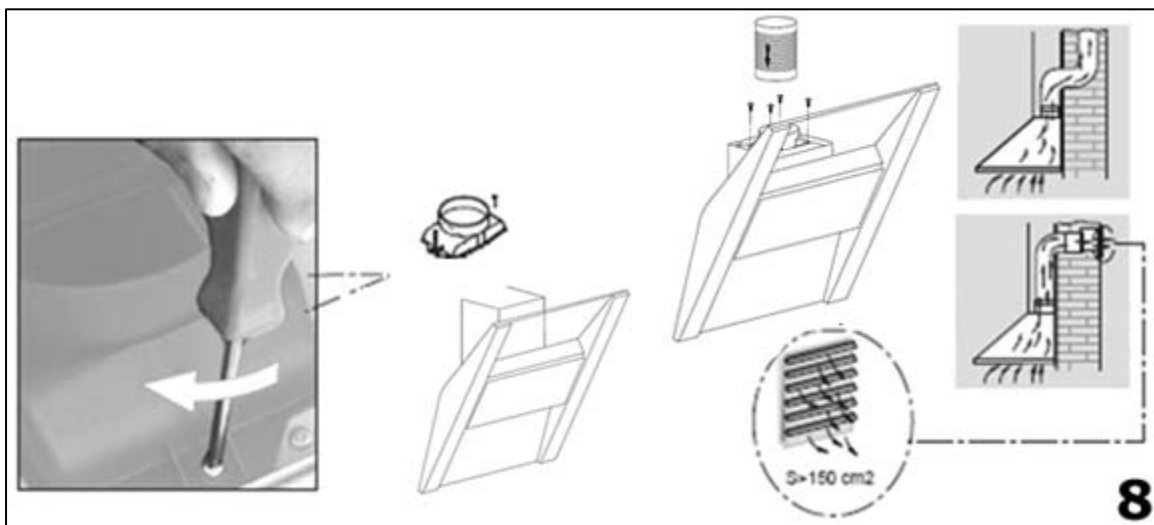
- 1) Position the hood against the wall that you are intending to install it on and mark the position of the screw holes at the back of the hood that are to be drilled (as shown in the figure above).
- 2) Using a drill bit with an 8 mm diameter, make holes in the wall on the positions that you have marked.
- 3) Put the rubber stoppers in the holes and screw ST4\*30 screws into the two top holes.
- 4) Hang the cooker hood onto the fixing screws.

**5)** Connect the cooker hood to the mains supply and turn the cooker hood on by pressing the power button for 3 seconds. This will open the decorative cover. Disconnect the cooker hood from the mains supply. The decorative cover will stay open. Remove the grease filters.

**6)** Screw ST4\*30 screws into the holes at the back of the cooker hood as shown in the drawing below.



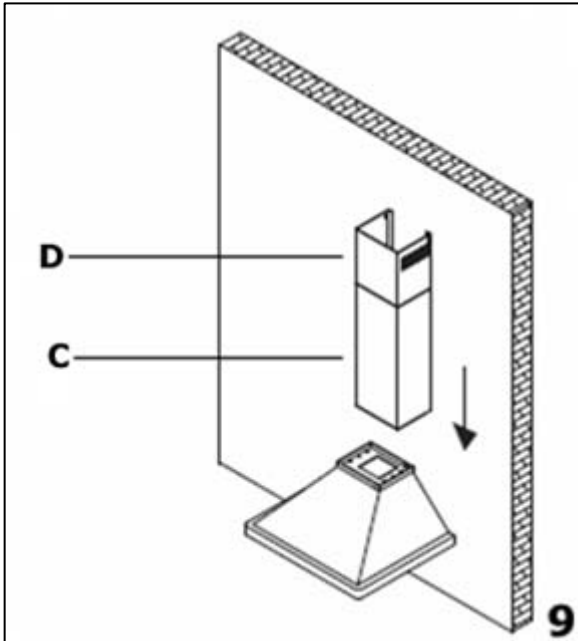
### Connecting to external ducting



**8)** Connect the coupling to the top of the cooker hood, and then connect a 125 mm ducting hose to the coupling (please note that the ducting hose is not supplied with the appliance).

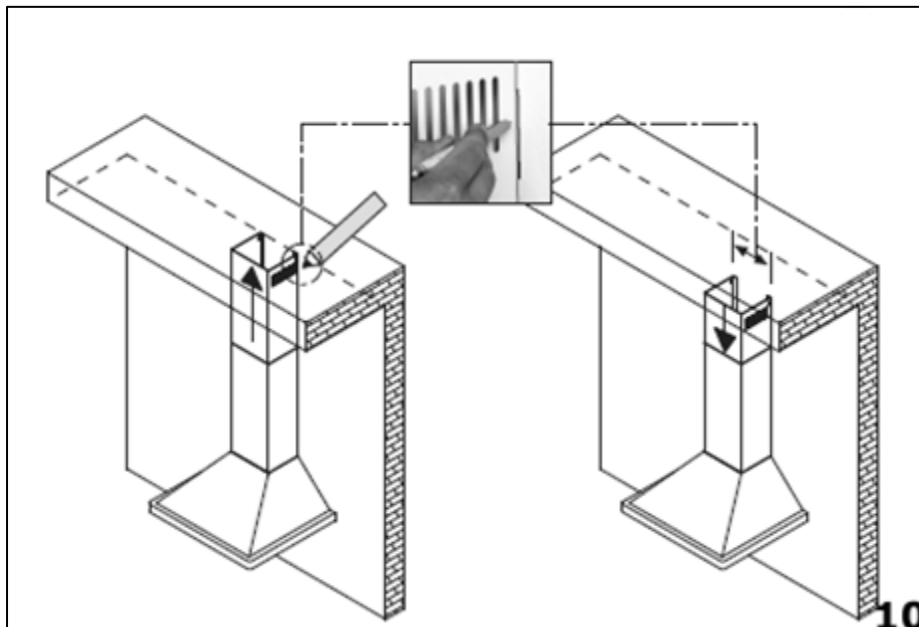
- The other end of the ducting hose should be connected to a discharge outlet that is suitable for cooking vapours. It should have a cross section of at least 150 cm<sup>2</sup>.
- The maximum distance between the coupling and your discharge outlet should be 3 metres, with one 90 degree bend. For each additional 90 degree bend, the maximum distance is reduced by a further metre.

### Fitting the optional chimney sections (CQ4SS)



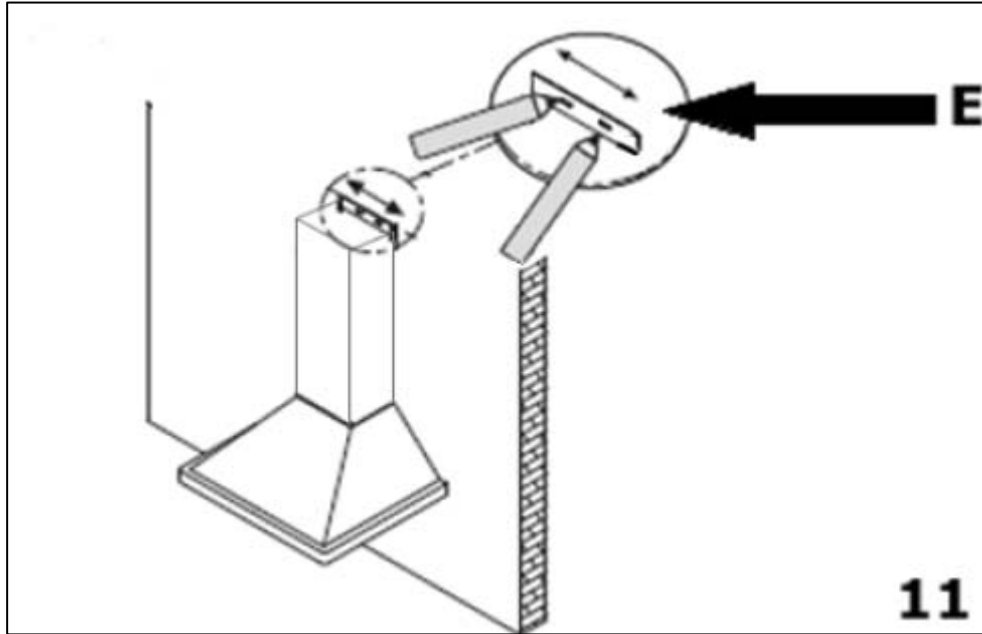
**9)** Take the two chimney sections **(C)** and **(D)**.

- Rest the bottom of chimney section **(C)** on the top of the hood. You should take care to position the tabs on the chimney section into the rear of the hood.
- Mark the side measurement of both sides of chimney section **(C)** on the wall with a pencil.



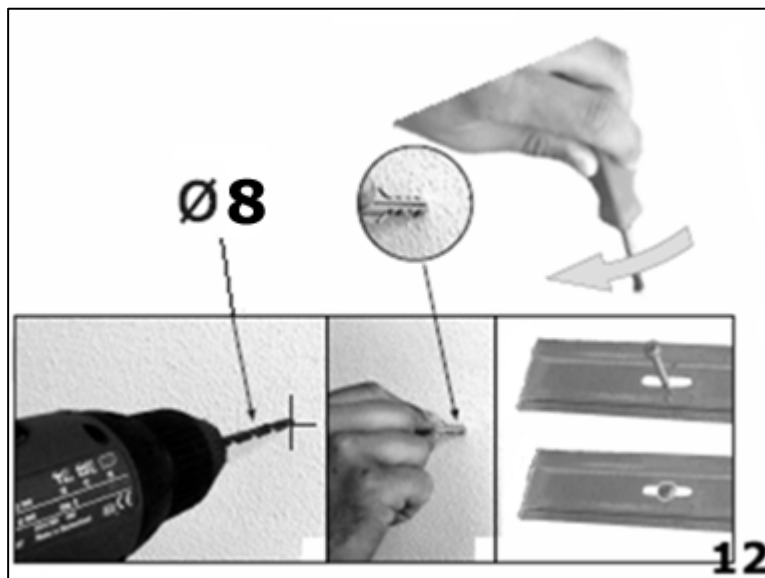
**10)** Lift chimney section **(D)** upwards until it reaches the ceiling. You must ensure that it is perpendicular to the hood.

- Mark the side measurements of both sides of chimney section **(D)** on the wall with a pencil and then remove chimney section **(D)**.



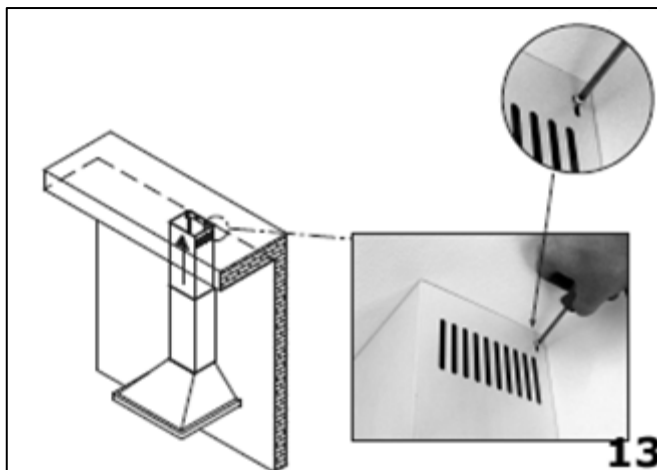
**11)** Take the flat bracket **(E)** and place it between the two pencil marks that you made in step 9

- Keeping the bracket in contact with the wall, use a pencil to mark on the wall the anchoring holes that are cut out of the bracket.



**12)** Using an 8 mm drill bit, drill out two holes on the pencil markings that you made in step 11. Insert rawl plugs into the holes and then use a screwdriver to secure the fixing bracket to the wall.

- Refit chimney section **(C)** to the hood and fix it onto the hood using the two screws that are supplied.
- Secure the top of chimney section **(C)** to the flat bracket, using the screws provided.
- Slide chimney section **(D)** inside of chimney section **(C)**. Then secure the L shaped bracket to the wall, using the same method as you have just used to secure the lower bracket.



**13)** Lift chimney section **(D)** up to the ceiling and secure it to the L shaped bracket using the screws provided.

### Completing the installation

- If you are setting the appliance to recirculation mode, then you should now fit the two carbon filters. See the “Fitting the carbon filters” section on pages 16 - 17.
- The electrical connection must correspond to the electrical requirement noted on the rating plate, which is placed inside the cooker hood. The appliance should now be connected to the electrical supply. See pages 17 - 18 for detailed information on the electrical connection.
- Use a stainless steel cleaner and polish on the stainless steel sections of the appliance.



- Refit the grease filters and then switch on the mains supply to the appliance. Check that the appliance is operating correctly by selecting each speed and switching the light bulbs on and off.



**IMPORTANT:** *If your cooker hood appears not to be operating properly, before contacting the Baumatic Customer Care Department, please refer to the checklist below.*



***My cooker hood will not start.***

- Check that the hood is connected to the electricity supply
- Check that the fan speed control is set correctly.



***My cooker hood is not working effectively.***

- The fan speed is not set high enough
- The grease filters are dirty and require cleaning.
- The kitchen is not well ventilated enough.
- If the hood is set up for recirculation mode, check that the carbon filters do not need replacing.
- If the hood is set up for extraction mode, check that the ducting hose and discharge outlet are not blocked.



***My cooker hood has switched off during operation.***

- The safety cut-out device has been tripped.
- Turn off the hob and then wait for the safety cut-out device to reset.
- **IMPORTANT:** *If you have installed your cooker hood too low, the safety cut-out device will frequently trip. Your cooker hood may become damaged if the safety cut-out device is tripped frequently.*



***IMPORTANT: If your appliance appears not to be operating correctly, then you should disconnect it from your mains supply and then contact Baumatic Customer Care on telephone number (0118) 933 6911.***

***DO NOT ATTEMPT TO REPAIR THE APPLIANCE YOURSELF.***

Please note that if an engineer is asked to attend whilst the product is under guarantee and finds that the problem is not the result of an appliance fault, then you may be liable for the cost of the call out charge.

***The appliance must be accessible for the engineer to perform any necessary repair. If your appliance is installed in such a way that an engineer is concerned that damage will be caused to the appliance or your kitchen, then he will not complete a repair.***

***This includes situations where appliances have been tiled in, sealed in with sealant, have wooden obstructions placed in front of the appliance, like plinths. Or any installation other than the one specified by Baumatic Ltd. has been completed.***

Please refer to the conditions of guarantee that appear on the warranty card that you receive with the appliance.

***IMPORTANT: Baumatic Ltd. operates a policy of continuous improvement and reserves the right to adjust and modify its products without prior notification.***

## Baumatic consumables

- **BC001** Degreaser for Dishwashers (200 g)
- **BC002** Descaler for Washing Machines and Dishwashers (200 g)
- **BC003** Ceramic Hob Cleaner (250 ml)
- **BC004** Oven Cleaner (250 ml)
- **BC005** Stainless Steel Cleaner and Protector (250 ml)
- **BC007** E-Cloth – General Purpose Cloth
- **BC008** Microwave Cover

To order a Baumatic consumable product please call 0123 5437 244 and quote the product code. You can also order online from [eshop.baumatic.co.uk](http://eshop.baumatic.co.uk)



***United Kingdom***

Baumatic Ltd.,  
Baumatic Buildings,  
6 Bennet Road,  
Reading, Berkshire  
RG2 0QX  
United Kingdom

**Sales Telephone**

(0118) 933 6900

**Sales Fax**

(0118) 931 0035

**Customer Care Telephone**

(0118) 933 6911

**Customer Care Fax**

(0118) 986 9124

**Spares Telephone**

(01235) 437244

**Advice Line Telephone**

(0118) 933 6933

**E-mail:**

sales@baumatic.co.uk  
customercare@baumatic.co.uk  
spares@baumatic.co.uk  
technical@baumatic.co.uk

**Website:**

www.baumatic.co.uk

**Facebook:**

[www.facebook.com/baumatic.uk](http://www.facebook.com/baumatic.uk)

***Republic of Ireland***

**Service Telephone**

1-890 812 724

**Spares Telephone**

091 756 771

***Czech Republic***

Baumatic CR spol s.r.o.  
Lipová 665  
460 01 Liberec 4  
Czech Republic

+420 483 577 200

www.baumatic.cz

***Slovakia***

Baumatic Slovakia, s.r.o.  
Galvániho 7/D  
Slovakia

+421 255 640 618

***Germany***

Baumatic Gmbh  
Bachstr.10-12  
D-32257 Bünde  
Deutschland

+49 (0) 5223 99408 0

www.baumatic.de

***Italy***

Baumatic Italia S.R.L.  
Via Galvani N.3  
35011 Campodarsego (PD)

+3904 9920 2297

www.baumatic.it

***Holland***

Baumatic Benelux B.V.  
Dukdalfweg 15d  
1332 BH ALMERE  
Nederland

+31(0)36 549 1553

www.baumatic.nl







