

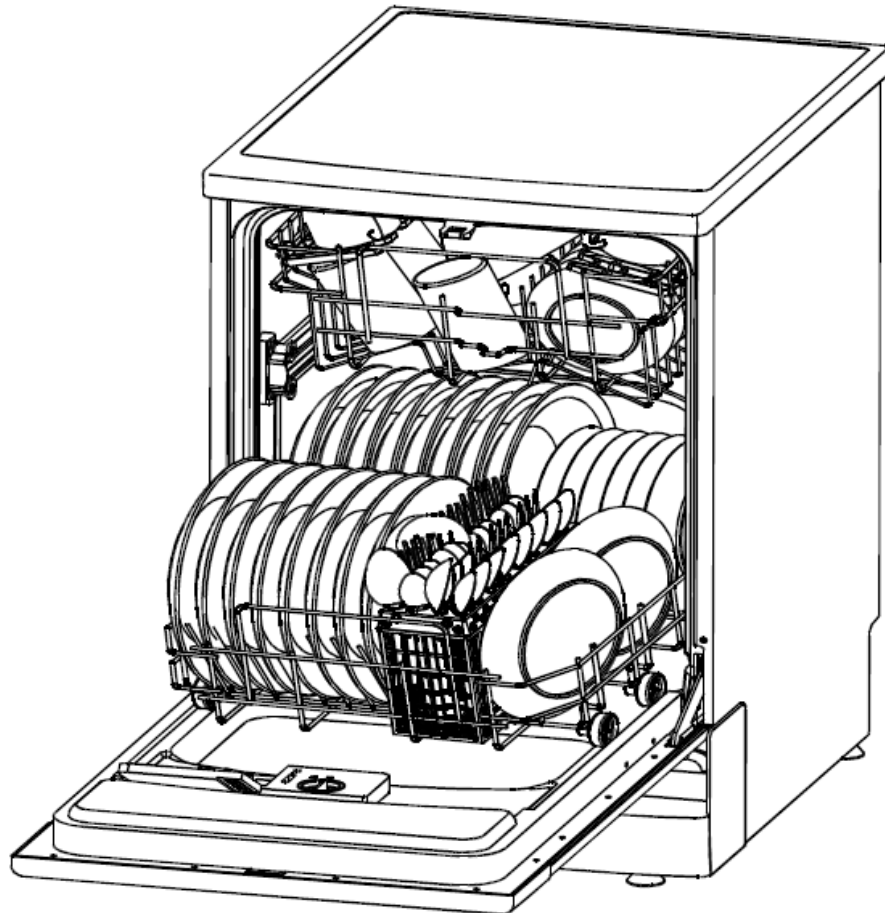
**BDF665W 60 cm  
Freestanding  
dishwasher**

**INSTRUCTION MANUAL**



# USER MANUAL FOR YOUR BAUMATIC

## BDF665W 60 cm Freestanding dishwasher



***NOTE: This User Instruction Manual contains important information, including safety & installation points, which will enable you to get the most out of your appliance. Please keep it in a safe place so that it is easily available for future reference; for you or any person not familiar with the operation of the appliance.***

DD 09/06/10


# Contents

<b>Environmental note</b>	4
<b>Important safety information</b>	5 - 7
<b>Specifications</b>	8 - 9
Product dimensions	8
Product specifications	8
Energy efficiency details	9
Electrical details	9
<b>Description of the appliance</b>	9 - 10
Control panel	10
<b>Using your dishwasher</b>	10 - 21
Before first use	10
Filling with dishwasher salt	11 - 12
Setting the water softener level	12
Filling with rinse aid	13 - 14
Setting the rinse aid level	14
Filling with dishwasher detergent	15
Loading the upper basket	16
Adjusting the upper basket	16 - 17
Loading the lower basket	18
The cutlery basket	19
Loading dishes and cutlery	20 - 21
<b>Program table</b>	22 - 26
Setting a wash program	23
Changing a wash program	24
At the end of a wash program	24
Setting a delay start	25
The 3 in 1 wash program	26
Rinse aid and salt required indicator neons	27
<b>Cleaning and maintenance</b>	27 - 30
The filter system	27 - 28
Cleaning the filters	28
Cleaning the spray arms	29
Cleaning the control panel	29
Cleaning the door	29
<b>Error code failure system</b>	31 - 32
General troubleshooting	33 - 34
<b>Installation</b>	35 - 40
Positioning and levelling the appliance	35 - 36
Applying the condensation strip	36 - 37
Connecting to the mains water supply	37
Water outlet	38
Power supply	39 - 40
Before first use	40
<b>Contact details</b>	41

## ENVIRONMENTAL NOTE

***Note: Before discarding an old appliance, switch off and disconnect it from the power supply. Cut off and render any plug useless. Cut the cable off directly behind the appliance to prevent misuse. This should be undertaken by a competent person. Disable the door lock to make sure that children cannot get stuck inside the appliance.***

**This appliance is marked according to the European directive 2002/96/EC on Waste electrical and Electronic Equipment (WEEE). By ensuring this product is disposed of correctly, you will help prevent potential negative consequences for the environment and human health, which could otherwise be caused by inappropriate waste handling of this product.**

The symbol  on the product, or on the documents accompanying the product, indicates that this appliance may not be treated as household waste. Instead it shall be handed over to the applicable collection point for the recycling of electrical and electronic equipment.

**Disposal must be carried out in accordance with local environmental regulations for waste disposal.**

**For more detailed information about treatment, recovery and recycling of this product, please contact your local city office, your household waste disposal service or the shop where you purchased the product.**



- The packaging materials that Baumatic uses are environmentally friendly and can be recycled.
- Please discard all packaging material with due regard for the environment.

## IMPORTANT SAFETY INFORMATION



Your safety is of the utmost importance to Baumatic. Please make sure that you read this instruction booklet **before** attempting to install or use the appliance. If you are unsure of any of the information contained in this booklet, please contact the Baumatic Advice Line.

### General Safety

- Repairs to your appliance must only be carried out by a Baumatic engineer or one of its authorised service agents. Any attempt by an inexperienced person to repair the appliance, could result in injury or damage to your dishwasher.
- If you notice that the mains cable is damaged. **The appliance must not be used.** The same applies if you notice that the worktop, control panel or base area is damaged. As this could allow access to the internal components of the machine.
- The appliance should be turned off and isolated from the mains supply, before either cleaning or maintenance work is attempted.
- The mains cable must not be used to pull the plug out of the electrical socket.
- The machine should not be sprayed with water.
- The external surface of the appliance may become hot whilst your dishwasher is in use.
- It is possible for small animals to chew either mains cables or water hoses, which could cause an electric shock hazard.

### Installation

- The installation instructions contained within this user manual should be followed.
- It is obligatory for the completed installation to comply with all relevant building regulations and local water authority requirements.
- **Before the first use of the appliance, you should follow the steps listed in the "Before first use" section on page 10 and page 40 of this manual.**

- Care should be taken not to trap the power supply cable underneath the appliance whilst installing it.
- No attempt should be made to alter or modify the specifications of this appliance.

### **In daily use**

- This appliance is only designed to wash normal domestic washloads. If you use your dishwasher in any other way or it is incorrectly used, then Baumatic accepts no liability for any damage that might be caused and any guarantee will be void.
- It is recommended that the appliance is unplugged and the water supply is turned off after the machine is used.
- The detergents, rinse aid and salt that you place in this appliance should be suitable for automatic dishwashers. With regards to dosage levels, the detergent manufacturer's recommendations should be followed.
- Sharp knives or ones with long blades are a potential safety hazard when placed in an upright position in the cutlery basket. We would recommend that these items are placed horizontally in the upper basket.
- ***You should not*** wash any items that have come into contact with corrosive, acidic or alkaline chemicals, paint, petrol, iron or steel debris.
- ***You should not*** open the door whilst the appliance is set on a wash program. Depending on which stage that the wash program is at, hot water could escape the machine.
- ***You should not*** leave the door of the appliance open, unless you are loading or unloading the dishwasher.
- ***You should not*** stand or sit on the door when it is open.

## Child Safety

- Your dishwasher should only be used by adults. You should not allow children in the area of the machine unsupervised. You should not let them touch the controls or play with the appliance.
- It could be possible for a child or pet to gain access to the dishwasher if the door is left open. Therefore please check the inside of the appliance before setting it on a wash cycle.
- Any packaging that is removed from the machine should be kept away from children.
- All detergents should be kept out of children's reach in a safe place.
- Some water will remain inside the dishwasher when it has completed a wash cycle. This water is not suitable for drinking and may contain residues from the detergents that are used in the appliance.

## Declaration of conformity

This appliance complies with the following European Directives:

-73/23 dated 19/02/1973 Low Voltage Directive and subsequent modifications.

-89/336 dated 03/05/1989 Electromagnetic Compatibility Directive and subsequent modifications.

For future reference please record the following information which can be found on the rating plate and the date of purchase which can be found on your sales invoice. The rating plate of your dishwasher is located on the right hand side of the drop down door.

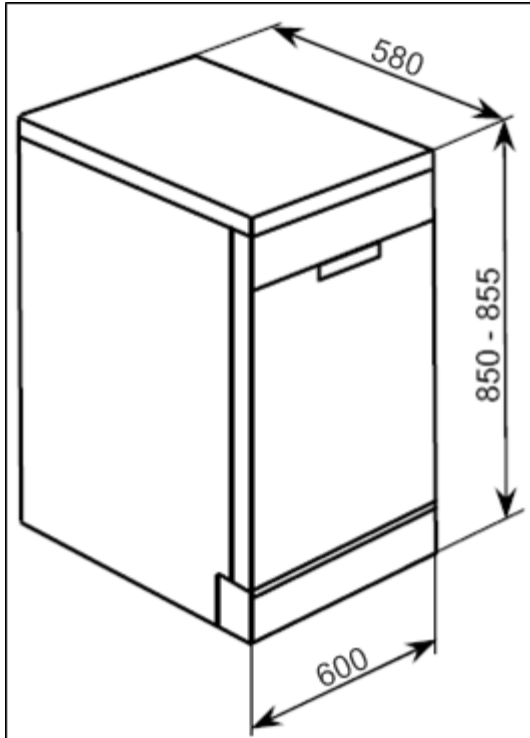
**Model Number** .....

**Serial Number** .....

**Date of Purchase** .....

## Specifications

### Product dimensions



Height: 850 - 855 mm  
Width: 600 mm  
Depth: 580 mm

### Product specifications

- **12 Place settings**
- **7 functions:** Normal  
Intensive  
Economy  
Glass  
Rapid  
Rinse  
3 in 1
- **4 Wash temperatures:** 40°C, 45°C, 50°C, 60°C
- **3 Rinse temperatures:** 45°C, 60°C, 70°C
- Delay start
- LED display
- Residual drying
- Concealed heating element
- Self-cleaning stainless steel micro-filter
- Anti-leak device
- Anti-flood device
- Collapsible plate racks
- Adjustable feet



- **3 in 1 wash program**
- **Low water consumption (13 litres)**

### Energy efficiency details

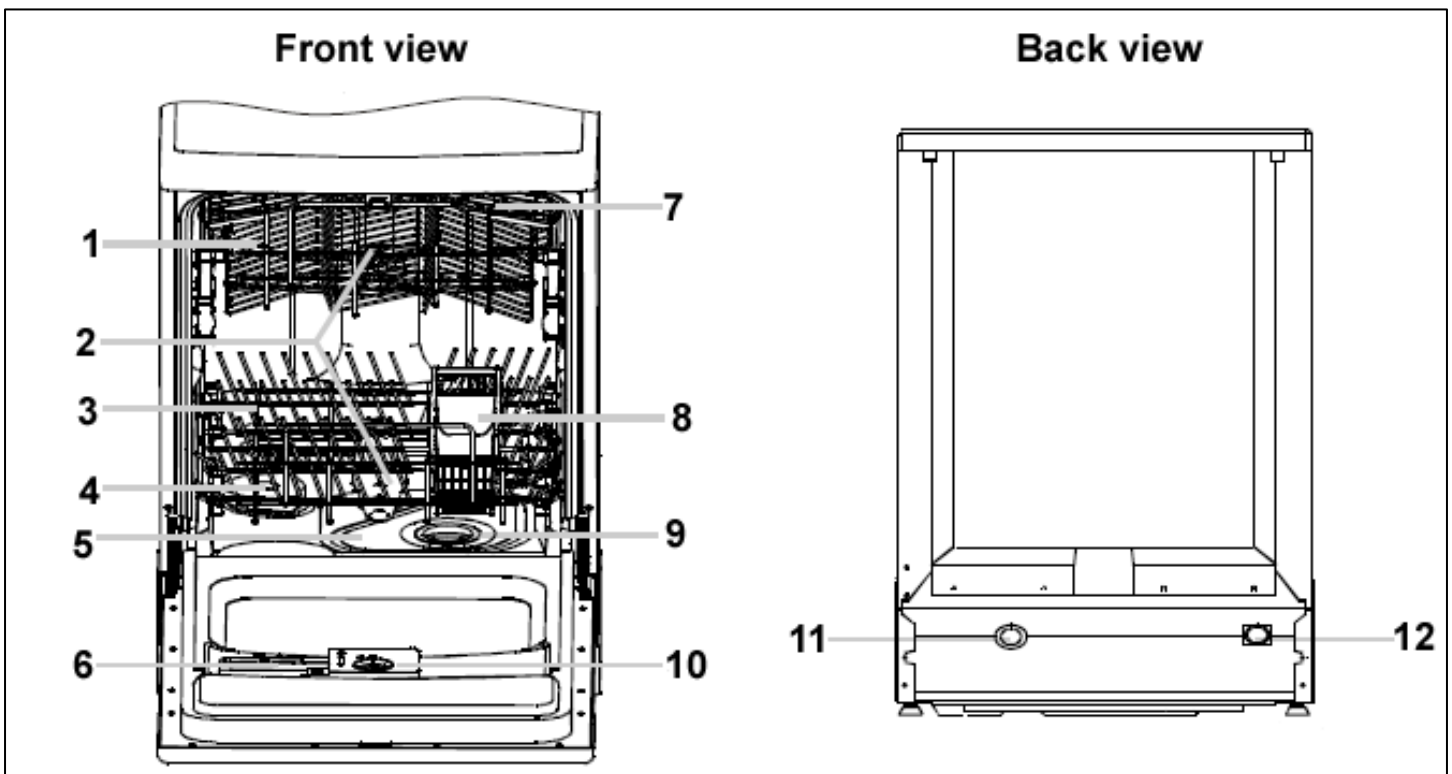
Energy efficiency class: A  
 Washing performance class: A  
 Drying performance class: A

### Electrical details

**Rated voltage:** 230 Vac 50 Hz

**Supply connection:** 13 A (double pole switched fused outlet with 3 mm contact gap)

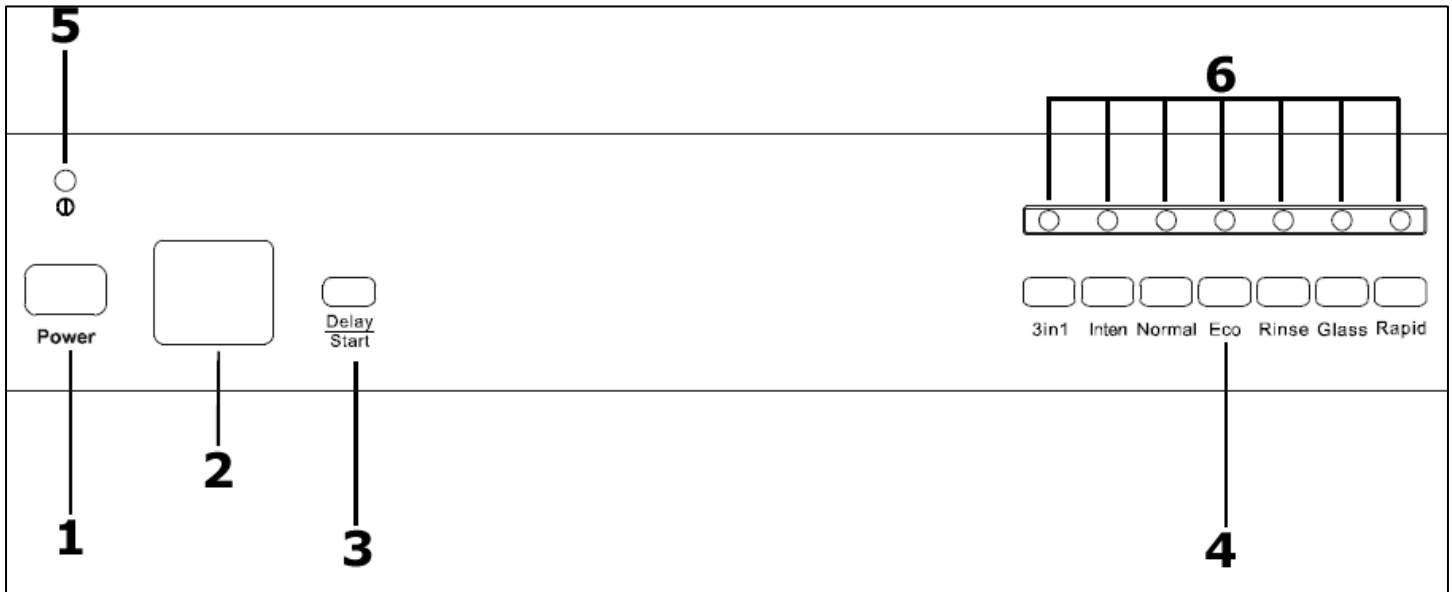
### Description of the appliance



- 1) Upper basket
- 2) Spray arms
- 3) Lower basket
- 4) Water softener
- 5) Main filter
- 6) Detergent dispenser

- 7) Cup shelf
- 8) Cutlery basket
- 9) Coarse filter
- 10) Rinse aid dispenser
- 11) Drain pipe connector
- 12) Inlet pipe connector

## Control panel



- 1) ON/OFF button
- 2) LED display (+ rinse aid and salt required indicator neons)
- 3) Delay start button
- 4) Program selection buttons
- 5) Power indicator neon
- 6) Program indicator neons

## Using your dishwasher

### Before first use

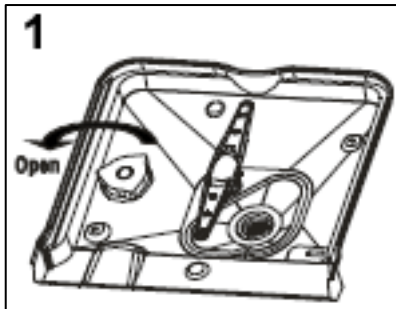
- Install the appliance as per the installation instructions contained within this booklet.
- Fill the water softener with 0.5 litres of tap water and then fill with specialist dishwasher salt. After this you should set the water softener level.
- Fill the rinse aid dispenser and then set the rinse aid dosage.

## Filling with dishwasher salt



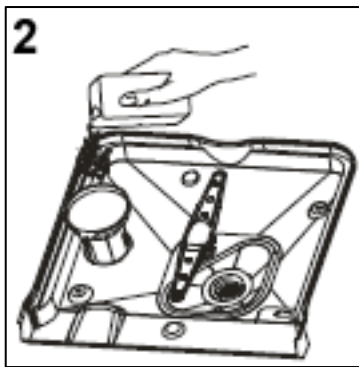
**IMPORTANT:** You should only use salt that is specially designed for use in a dishwasher. If any other type of salt is used in the appliance (in particular table salt), it will damage the water softener.

- Ideally you should fill the water softener with salt, just before you are about to run a wash program. This will help to clear any salt that may have overflowed from the water softener during the salt filling process.
- Open the door of the dishwasher and then remove the lower basket. The basket should be empty when you remove it.



- Turn the water softener cap anticlockwise and remove it.
- Pour 0.5 litres of water into the water softener.

**IMPORTANT:** It is only necessary to do this when you fill the container with salt for the first time.



- Pour salt into the water softener, using the funnel that is supplied with the appliance. You should add approximately 1.2 kg of salt into the water softener.
- It is perfectly normal for a small amount of water to come out of the water softener, whilst you are filling it with salt. This does not mean that the water softener is filled with the correct amount of salt.
- Refit and fully tighten the water softener cap.
- The salt required indicator neon will go out approximately 2-6 hours after you have filled the water softener with salt. When the salt required indicator neon lights on the control panel, then you should follow the filling with dishwasher salt procedure again.

- **IMPORTANT:** You do not need to pour 0.5 litres of water into the container when you subsequently fill the water softener with salt.

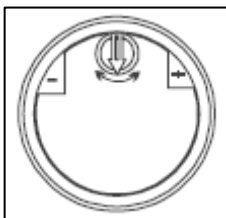
## Setting the water softener level

It is possible to regulate the amount of salt that the water softener will release during a wash cycle. The water softener should be set to a level that is appropriate for the hardness of your water (please refer to the table below).

<b>Water hardness</b>		<b>Selector position</b>	<b>Grams of salt used per cycle</b>	<b>Appropriate no. of completed cycles per 1 kg of salt</b>
<b>Clarke degrees</b>	<b>°TH French degrees</b>			
0 – 10	0 – 14	No salt required	0	-
10 – 28	14 – 39	Minus symbol	20	50
28 – 56	39 – 80	Halfway position	40	25
56 - 75	80 - 107	Plus symbol	60	16

To alter the amount of salt that is released by the water softener, you should:-

- Remove the lower basket and unscrew the cap from the water softener.

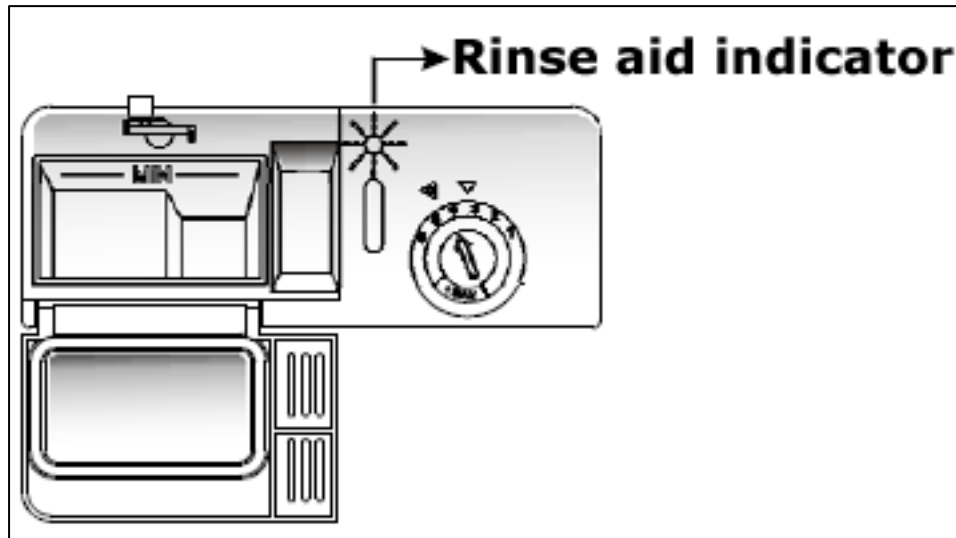


- Locate the ring with an arrow on it that is located on the water softener. (See figure opposite).
- When you first receive your appliance, the arrow will be pointing to the minus symbol. Using the water hardness chart, you should turn the arrow to the setting that is appropriate for your water hardness.
- The “middle” selector position is halfway between the minus and plus symbols.
- **IMPORTANT:** If you are using 3 in 1 dishwasher tablets and live in a medium or hard water area, then you should still fill the water softener with salt. The water softener arrow should be turned to the minus setting.

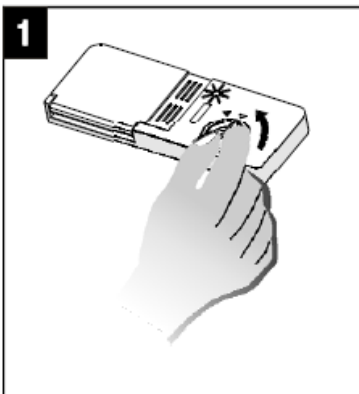
## Filling with rinse aid



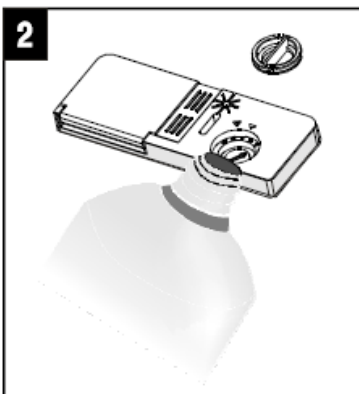
The rinse aid is released during the final rinse and it helps to prevent water from forming droplets on your dishes. These droplets will lead to spots and streaks being left on items after the wash program has completed.



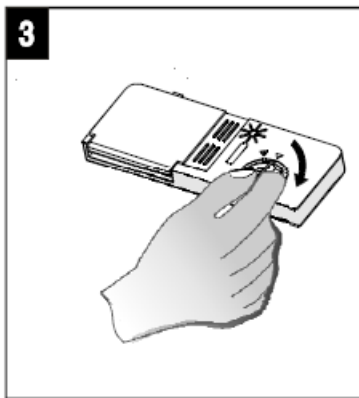
- Your dishwasher is designed to utilise liquid rinse aid.
- The rinse aid dispenser is located inside the drop down door, next to the detergent dispenser.



- To access the rinse aid dispenser, you should turn the cap anticlockwise and it will pop out of the hole. Then slowly pour in liquid rinse aid, the rinse aid dispenser will hold approximately 140 ml of rinse aid.



- You should continue to fill with rinse aid, until the level indicator turns completely black.
- Be careful not to overfill the dispenser, as this could cause oversudsing when a wash program is selected. Wipe away any rinse aid excess or spillages with a damp cloth.

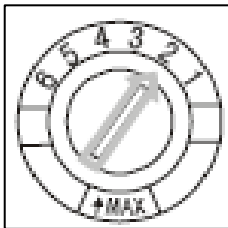


- Replace the cap and turn it clockwise until it locks into position.
- You should refill the rinse aid dispenser when the rinse aid required indicator neon lights on the control panel.

- **IMPORTANT:** If you are using 3 in 1 dishwasher tablets then you should still fill the rinse aid dispenser.

### Setting the rinse aid level

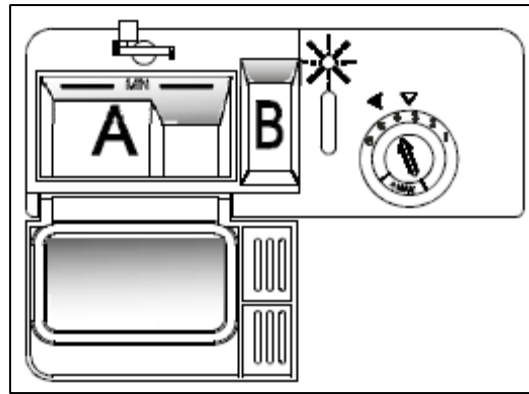
The amount of rinse aid that the dishwasher requires also depends on the hardness of your water. You should experiment with the rinse aid setting, until you find a level that gives the best results.



- On the first wash cycle, we would recommend that the rinse aid level is set to number 2.
- If you get water spots and poor drying performance, then you should turn the arrow anticlockwise and increase the setting to the next number.
- You should continue to adjust the rinse aid level upwards until you get no water spots.
- If you get cloudiness or streaking on your dishes, the rinse aid level is set too high and it is causing foaming during the wash cycle. Turn the arrow clockwise and lower the setting to the next number.

## Filling with dishwasher detergent

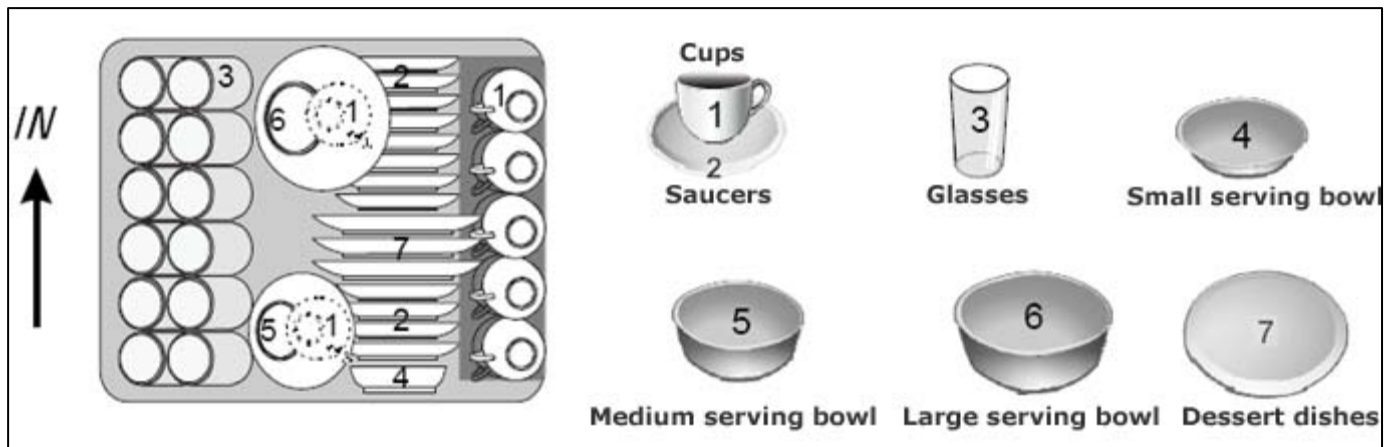
The detergent dispenser must be refilled at the start of each wash cycle (apart from the rinse wash program).



- Open the lid that closes over the detergent dispenser and place the detergent inside of the dispenser.
- The section marked A in the diagram is for the main wash cycle detergent. Only one detergent tablet should be placed in the dispenser at any one time. If you are using detergent powder or liquid, you should follow the detergent manufacturer's recommendations.
- The section marked B in the diagram can have separate detergent placed in it for any wash cycle that has a pre-wash element to it, however this is optional. This must be a liquid or powder detergent, not another detergent tablet.
- Shut the detergent dispenser lid and position the clip on the outer edge, so that it holds the lid shut.
- At the beginning of a wash cycle the clip will open and the tablet/powder/liquid will enter the dishwasher.

## Loading the upper basket

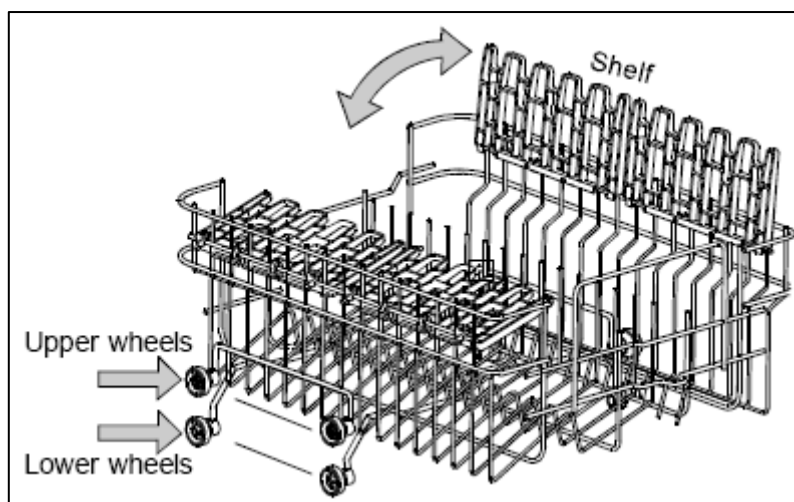
*The upper basket is most suited to washing delicate and light dishware, such as glasses, coffee & tea cups, saucers, plates, bowls and shallow pans (that are not heavily soiled).*



- You should position the dishes and cookware in such a way that they are not moved by the spray of water during the wash cycle.
- Use the diagram above as a guide to the most appropriate way to load the upper basket.

## Adjusting the upper basket

*Your dishwasher has an adjustable upper basket which you can alter to the most suitable position for the items you are going to wash in the upper basket.*



- The height of the upper basket can be adjusted by removing the upper basket from the guide supports.
- **IMPORTANT:** *The upper basket must be empty when you are removing it from the guide supports.*



## Lower position



- If the upper wheels are placed in the guide supports, then the basket is in the lower position.

- For accommodating additional tumblers, cups and mugs. You can also place small, espresso sized cups on top of the side racks. You should take care to ensure that there is enough clearance between the top of the cups placed on top of the side racks and the underneath of the dishwasher interior.



**IMPORTANT:** Care should be taken when placing long stemmed glassware, such as champagne glasses in the upper basket. If they are not positioned correctly, then there is a risk that they may topple over when the upper basket is pushed in or pulled out.

## Upper position



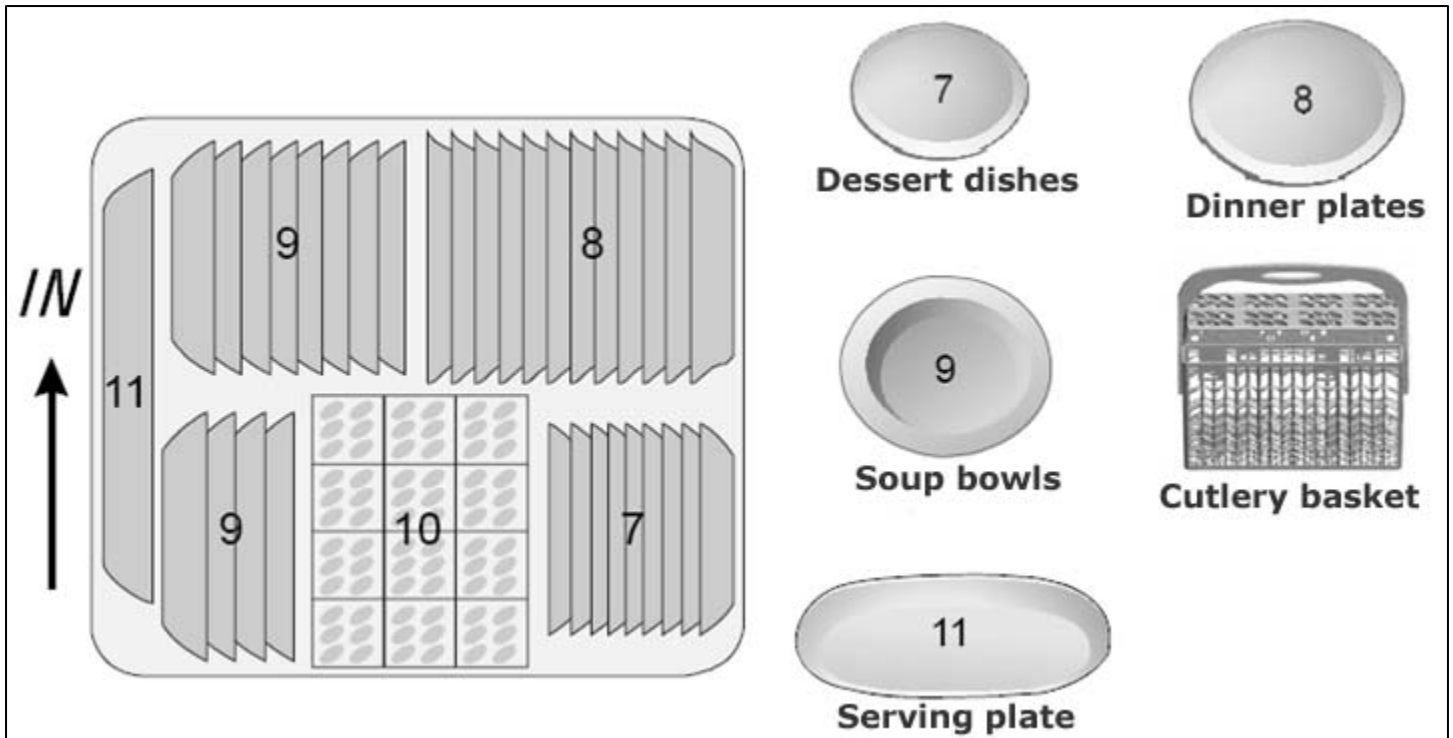
- If the lower wheels are placed in the guide supports, then the basket is in the upper position.

- For accommodating items such as glass tumblers and wine glasses. Wine glasses should be placed upside down, so that the stem of the glass rests in one of the grooves on the side flap.
- Please note that when the basket is in the upper position, you cannot have the side flaps in a raised position. Otherwise the basket will not slide back into the interior of the dishwasher.

	Maximum height of dishes (upper basket)	Maximum height of dishes (lower basket)
With upper basket raised	19 cm	30 cm
With upper basket lowered	24 cm	25 cm

## Loading the lower basket

*The lower basket is most suited to washing larger and more heavily soiled items, such as saucepans, saucepan lids and serving dishes. You can also load bowls and a variety of plates into the lower basket.*



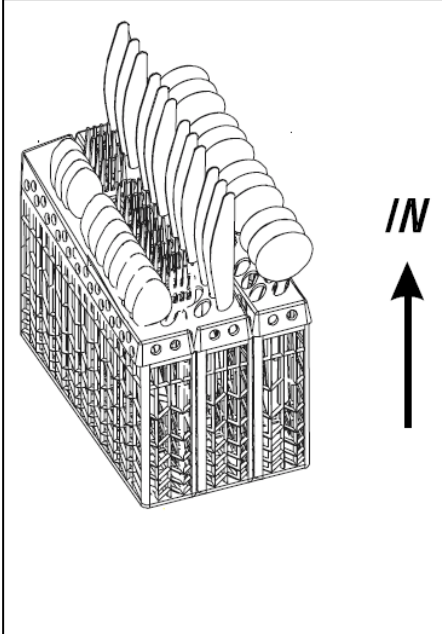
- Saucepans and serving bowls must always be placed with their bases upwards.
- Deep saucepans should be slanted, to allow water to run off.











- The bottom rack has prongs at the rear of the basket that can be folded downwards, to allow for easier loading of larger saucepans and serving bowls.

## The cutlery basket

*Cutlery should be placed inside of the cutlery basket. The cutlery basket should then be placed in the appropriate position in the lower basket.*



4	1	5	3	3	2
4	1	5	3	3	2
4	1	5	3	3	2
4	1	5	3	3	2
4	1	5	3	3	2
4	1	5	3	3	2
4	1	5	3	3	2
4	1	5	6	8	2
4	1	5	3	3	2
4	1	5	7	6	2

1	<b>Forks</b>	
2	<b>Soup spoons</b>	
3	<b>Dessert spoons</b>	
4	<b>Teaspoons</b>	
5	<b>Knives</b>	
6	<b>Serving spoons</b>	
7	<b>Gravy ladle</b>	
8	<b>Serving fork</b>	

- For the best washing performance, cutlery should be placed through the slots in the top of the cutlery basket.



**IMPORTANT:** Do not allow items of cutlery to fall through the bottom of the cutlery basket, as this may cause damage to the spray arm and/or the cutlery. If the bottom of the basket begins to deteriorate and allows items to fall through, you should replace the cutlery basket.

## Loading dishes and cutlery



*Household cloths, sponges or any other object that may absorb water **SHOULD NOT** be washed in a dishwasher.*

- Remove leftovers and soften the remnants of burnt food in pans, prior to loading dishes in the appliance.
- Once the dishwasher has been loaded, check that the spray arms can move freely. If the spray arm comes into contact with any item, then you should rearrange the wash load.
- Cups, glasses, pans etc should all be loaded with their bases upwards, so that water does not collect inside of them.
- Cutlery and dishes should not cover each other; otherwise you may get poor wash results.
- Do not allow glasses to touch inside the dishwasher, otherwise damage may occur.
- Small objects can be placed inside of the cutlery basket.



***The following items are NOT suitable for washing inside a dishwasher:-***

- Cutlery with a handle of mother-of-pearl, wood, horn or china.
- Plastic items that are not resistant to heat.
- Cutlery that consists of glued parts that are not resistant to heat.
- Cutlery items or crockery that are bonded.
- Copper or pewter items.
- Lead crystal glass.
- Wooden platters.
- Synthetic fibre items.



***The following items are not always suitable for washing inside a dishwasher:-***

- Stoneware should only be washed if the manufacturer of the item has marked it as dishwasher safe.
- Plastic items (such as lunchboxes) should only be washed if the manufacturer has marked it as dishwasher safe.
- Glazed crockery may fade with repeated washing inside of a dishwasher.
- Items made of silverware or aluminium can discolour when washed inside a dishwasher.
- Any food residue should be removed from silver items immediately, as this can also result in discolouration.
- Certain types of glass may become dull or cloudy after a large number of washes.

## Program table

<b>Program</b>	<b>Program information</b>	<b>Description of cycle</b>	<b>Detergent pre/main</b>	<b>Program Times**</b>
3 in 1	For normally soiled loads, such as pots, plates, glasses and lightly soiled pans. Standard daily cycle when using 3 in 1 tablets.	Pre-rinse Wash (45°C) Rinse Rinse (70°C) Drying	3 in 1	170 minutes
Intensive	For the heaviest soiled loads, such as pots, pans, casserole dishes and dishes that have been sitting with dried food on them for awhile.	Pre-rinse (50°C) Pre-rinse Wash (60°C) Rinse Rinse (70°C) Drying	4 grams (pre-rinse) 20 grams (main wash)	161 minutes
Normal*	For normally soiled loads, such as pots, plates, glasses and lightly soiled pans. Standard daily cycle.	Pre-rinse Pre-rinse Wash (50°C) Rinse (65°C) Drying	4 grams (pre-rinse) 20 grams (main wash)	155 minutes
Economy	For lightly soiled loads, such as plates, glasses, bowls and lightly soiled plates.	Pre-rinse Wash (45°C) Rinse (60°C) Drying	20 grams (main wash)	102 minutes
Rinse	For dishes that need to be rinsed and dried only.	Wash (45°C) Rinse (70°C) Drying		85 minutes
Glass	For lightly soiled loads, such as glasses, crystal and fine china.	Pre-rinse Wash (40°C) Rinse (70°C) Drying	15 grams (main wash)	108 minutes
Rapid	A shorter wash for lightly soiled loads that do not need drying.	Wash (40°C) Rinse (45°C)	15 grams (main wash)	30 minutes

\* Normal is the testing program for EN 50242.

\*\* The wash program times that are quoted are intended as a guide only. Please note that factors external to the machine, e.g. the temperature of your water supply, your water pressure etc. can affect the time it takes for the wash program to complete.

## Setting a wash program



***Make sure that the "Before first use" section has been followed.***

- Check whether the appliance needs rinse aid or salt adding to it.
- Pull out the top and bottom baskets, then load them in accordance with the loading instructions.
- Push the top and bottom baskets fully back into position.
- Add detergent
- Close the door firmly, so that you hear the door lock click shut.
- Switch the appliance on by using the ON/OFF button, the power indicator neon will light.
- ***IMPORTANT: Wait for 5 seconds before pressing a program selection button, otherwise the appliance may not function correctly.***
- Press the relevant program selection button to choose an appropriate wash program for the load that you are washing. The program indicator neon above the program selection button that you have pressed will light.
- Select any program option that you want to use (e.g. delay start).
- After a few seconds, you will hear the appliance begin to fill with water and the wash program will have started.
- If you open the door whilst the machine is on a wash cycle, then you should open the door slightly.
- The spray arms will stop turning after a few seconds. You can then open the door fully.
- When you close the dishwasher door, after approximately 10 seconds the wash program will continue.

## Changing the wash program

- Press and hold down the program selection button of the wash program that was in progress for 3 seconds, to cancel the wash program.
- Press another program selection button to choose the correct wash program.
- After a few seconds, you will hear the appliance continue with the new wash program that you have selected.
- **IMPORTANT:** *You should only change a wash program if the detergent has not been released into the machine; otherwise you may get poor wash results.*

## At the end of a wash program

- At the end of the wash program, an audible signal will sound for 8 seconds.
- Use the ON/OFF button to switch the dishwasher off.
- **IMPORTANT:** *You should leave the appliance for 15 minutes **BEFORE** opening the door. This will allow the steam generated from the final rinse(s) to dry the dishes.*
- Carefully open the door of the appliance and leave it ajar for a few minutes and allow any remaining steam to disperse.
- **WARNING:** *Hot steam may escape when the door is first opened, so care should be taken.*
- Unload the dishwasher; you should take care in case any of the items are still warm.
- **IMPORTANT:** *If you leave the door of the dishwasher shut and do not unload the dishwasher for a prolonged period of time, then you may get water droplets reforming on the washload.*



## Setting a delay start

*It is possible to delay the start of the wash program for a maximum of 24 hours.*

- Check whether the appliance needs rinse aid or salt adding to it.
- Pull out the top and bottom baskets, then load them in accordance with the loading instructions.
- Push the top and bottom baskets fully back into position.
- Add detergent
- Close the door firmly, so that you hear the door lock click shut.
- Switch the appliance on by using the ON/OFF button, the power on indicator will light.
- ***IMPORTANT: Wait for 5 seconds before pressing a program selection button, otherwise the appliance may not function correctly.***
- Press the relevant program selection button to choose an appropriate wash program for the load that you are washing. The program indicator neon above the program selection button that you have pressed will light.
- ***Immediately*** press the display start button to set the period of time that you want to delay the wash cycle for.
- The period of time will increase in 1 hour intervals, each time that you press the delay start button. The period of time that you have set will appear on the LED display.
- The maximum delay start period that can be set is 24 hours.
- After the delay time has elapsed, you will hear the appliance begin to fill with water and the wash program will start.

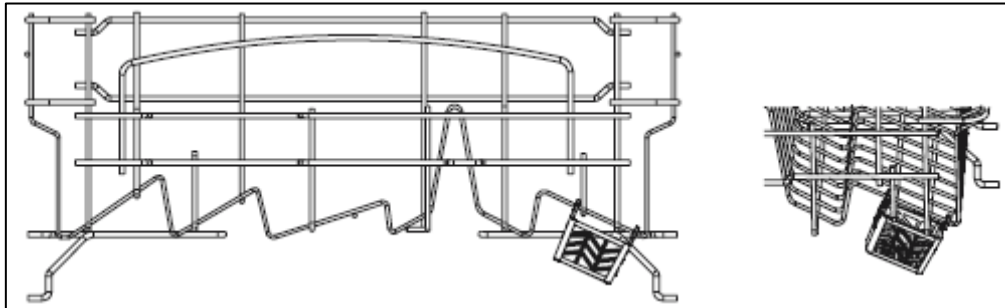
## The 3 in 1 wash program



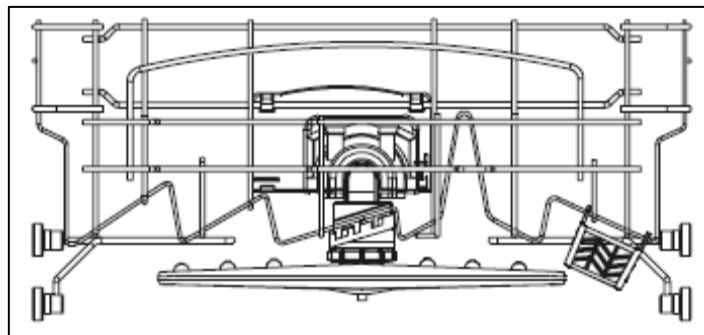
Make sure that the water softener has been filled with salt and that the water softener has been set to its lowest setting.

Make sure that the rinse aid dispenser has been set to an appropriate level.

***THIS WASH PROGRAM MUST BE SELECTED IF YOU ARE USING 3 IN 1 DETERGENT. IF YOU USE ANY OTHER WASH PROGRAM WITH 3 IN 1 TABLETS, THEN YOU MAY GET POOR WASH RESULTS.***



- Hang the 3 in 1 tablet container on the underneath of the upper basket, in the position shown on the diagram.



- Check that the 3 in 1 tablet container is not going to foul the upper spray arm, by rotating the spray arm around slowly. If it does hit the 3 in 1 tablet container, you should move it.
- Put a 3 in 1 tablet inside the 3 in 1 tablet container. Load the appliance as normal and select the 3 in 1 wash program.





If your wash results are poor, then we would recommend that you use a dishwasher detergent that doesn't have rinse aid and salt included in the tablet. The water softener should then be adjusted to an appropriate level for the hardness of the water in your area.

## Rinse aid and salt required indicator neons



- The rinse aid and salt required indicator neons on the control panel will let you know when the appliance needs rinse aid or salt adding to it.

- The  neon indicates that you need to add rinse aid to the appliance. You should follow the procedure outlined on page 13 - 14.
- The  neon indicates that you need to add dishwasher salt to the appliance. You should follow the procedure outlined on page 11 - 12.

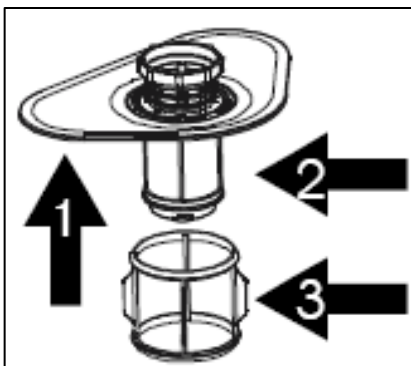
## Cleaning and maintenance



**IMPORTANT:** *The appliance should be disconnected from your mains supply before commencing any cleaning process.*

### The filter system

*Your appliance is fitted with three levels of filtering; these are located in the base of the dishwasher for ease of access.*



- 1) Main filter
- 2) Coarse filter
- 3) Fine filter

#### **Main filter-**

Food and soil particles are trapped by this filter and pulverised by a special jet on the lower spray arm. This debris is then washed down the drain.

#### **Coarse filter-**

Larger items such as pieces of bone or glass, which could clog the drain, are trapped in this filter.

#### **Fine filter-**

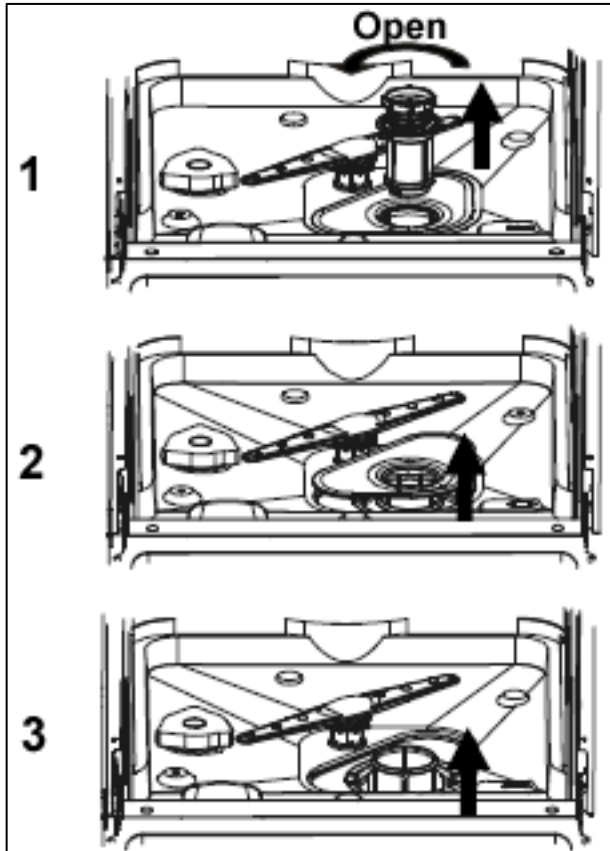
This filter holds soil and food residue in the sump area and prevents it from being redeposited on the dishes during a wash cycle.



**IMPORTANT:** Whilst the filtering system is efficient, your dishwasher is not a waste disposal unit. All items being washed inside of the dishwasher should have food scraps removed from them before being loaded into the appliance.

## Cleaning the filters

For best performance and results, the entire filter assembly should be thoroughly cleaned regularly (ideally after each wash cycle).



1. Turn the coarse filter anti-clockwise and then lift it upwards. Rinse out this section under a tap to remove any food debris that remains in it.
2. Pull out the main filter and rinse this under the tap to remove any food debris that is trapped in it.
3. Pull out the fine filter and rinse this under the tap to remove any food debris that is trapped in it.

4. Place the fine filter back in its original position.
5. Place the main and coarse filter back into their original positions in the base of the dishwasher. You must turn the coarse filter clockwise to lock it back into position.

**IMPORTANT:** If a glass gets smashed inside of the appliance, you must check there is no glass in the filter before the machine is used again as this can cause a drainage failure.

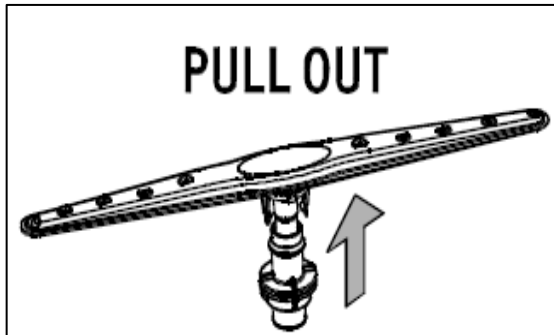


**IMPORTANT: THE DISHWASHER SHOULD NEVER BE SET ON A WASH CYCLE WITHOUT THE FILTERS BEING INSIDE OF THE APPLIANCE.**

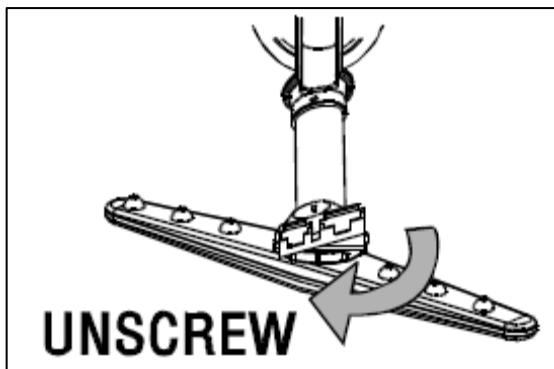
## Cleaning the spray arms

The spray arms should be cleaned regularly, to prevent hard water deposits from clogging the spray arm jets and bearings.

- **IMPORTANT:** Remove the lower basket before attempting to remove the lower spray arm.



- Gently pull upwards to remove the lower spray arm.



- To remove the upper spray arm, unscrew the nut clockwise and take out the washer that sits on top of the spray arms.

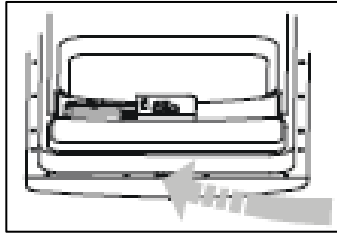
- Wash the spray arms in warm, soapy water and use a soft brush to clean the jets.
- Rinse the spray arms thoroughly and then reassemble the spray arms, placing them back in their original position.

## Cleaning the control panel

**IMPORTANT:** Do not use any abrasive cleaner or household polish on either the control panel or operating parts.

- Wipe over the control panel using a brand new damp cloth with warm water.

## Cleaning the door



- To clean the edge around the outside of the door, you should use a soft, damp cloth only.
- To prevent water from penetrating the door lock or electrical components, **DO NOT** use a spray cleaner of any kind.
- **DO NOT** use any abrasive cleaner or scouring pads on the inner or outer surfaces, as they may cause damage to them.

## Error code failure system

If your appliance senses that it is not operating correctly, then an error code may appear in the display window.

The following error codes can possibly be remedied by the customer and the steps outlined below should be followed.

***BEFORE COMPLETING ANY MAINTAINANCE ON THE APPLIANCE, IT SHOULD BE DISCONNECTED FROM YOUR MAINS POWER SUPPLY.***

### ***E1***

- Longer than expected fill time or drain time.
- ✓ Check the water pressure of your mains water supply.
- ✓ Clean the mesh filter that sits in the inlet hose.
- ✓ Ensure that the inlet hose is not kinked or crushed.
- ✓ Make sure the water tap that the machine is connected to is turned on fully.
- ✓ Check that the outlet hose is not kinked or crushed and that it's positioned correctly (as per the installation instructions).

### ***E3***

- Longer heating time- not reaching the required temperature.
- ✓ Malfunction of the temperature sensor or heating element.
- ✓ ***Call the Baumatic Customer Care Department.***

### ***E4***

- The machine has sensed water in the base.
- ✓ Check that the outlet hose is not kinked or crushed.
- ✓ Check that there are no blockages in the drain hose or the drainage system that the appliance is connected to.
- ✓ The drain pipe may be placed in too high a position or incorrectly. Check the installation instructions and ensure that the installation is correct.

### ***E6***

- Open circuit
- ✓ Thermistor
- ✓ ***Call the Baumatic Customer Care Department.***

### ***E7***

- Short circuit
- ✓ Thermistor
- ✓ ***Call the Baumatic Customer Care Department.***



**IMPORTANT:** *If any other fault code appears in the display window, you should not attempt to clear it yourself and contact the Baumatic Customer Care Department.*



**IMPORTANT:** *If your appliance appears not to be operating correctly, then you should disconnect it from your mains supply and then contact Baumatic Customer Care on telephone number (0118) 933 6911.*

**DO NOT ATTEMPT TO REPAIR THE APPLIANCE YOURSELF.**

Please note that if an engineer is asked to attend whilst the product is under guarantee and finds that the problem is not the result of an appliance fault, then you may be liable for the cost of the call out charge.

***The appliance must be accessible for the engineer to perform any necessary repair. If your appliance is installed in such a way that an engineer is concerned that damage will be caused to the appliance or your kitchen, then he will not complete a repair.***

***This includes situations where appliances have been tiled in, sealed in with sealant, have wooden obstructions placed in front of the appliance, like plinths. Or any installation other than the one specified by Baumatic Ltd. has been completed.***

Please refer to the conditions of guarantee that appear on the warranty card that you receive with the appliance.

**IMPORTANT:** *Baumatic Ltd. operates a policy of continuous improvement and reserves the right to adjust and modify its products without prior notification.*



## General troubleshooting

<b>PROBLEM</b>	<b>POSSIBLE CAUSES</b>	<b>WHAT TO DO</b>
<i>Dishwasher doesn't run</i>	<p><b>Fuse blown or the circuit breaker has tripped</b></p> <p><b>Power supply is not switched on</b></p> <p><b>Water pressure is low</b></p>	<p>Replace the fuse or reset the circuit breaker. Remove any other appliances that are sharing the same circuit with the dishwasher.</p> <p>Make sure that the dishwasher is turned on and that the door is closed securely.</p> <p>Make sure that the power cord is fully plugged into the wall socket.</p> <p>Check that the water supply is connected properly and that the water is turned on.</p>
<i>Drain pump doesn't stop</i>	<b>Overflow</b>	The system is designed to detect an overflow. If it does, then it will run the drain pump continuously when there is power to the appliance.
<i>Noise</i>	<p><b>Some audible sounds are normal</b></p> <p><b>Utensils are not secure in the baskets or something small has dropped into the basket</b></p> <p><b>Motor hums</b></p>	<p>You will get a level of operating noise during a wash cycle, in particular when food is being removed from items and when the detergent dispenser places the tablet into the tub.</p> <p>Ensure that everything is loaded as per Baumatic's loading instructions.</p> <p>If the dishwasher is not going to be used for a period of time, then you should make sure that the appliance is set on a wash program once a week. Otherwise the seal around motor may dry out and cause noise.</p>
<i>Suds in the tub</i>	<b>Spilled rinse aid</b>	Always wipe up any excess rinse aid or rinse aid spillages immediately.
<i>Stained tub interior</i>	<b>Detergent with colourant was used</b>	Use a detergent without colourant.
<i>Dishes are not fully dried</i>	<b>Rinse aid dispenser is empty</b>	Make sure that the rinse aid dispenser is filled with rinse aid.

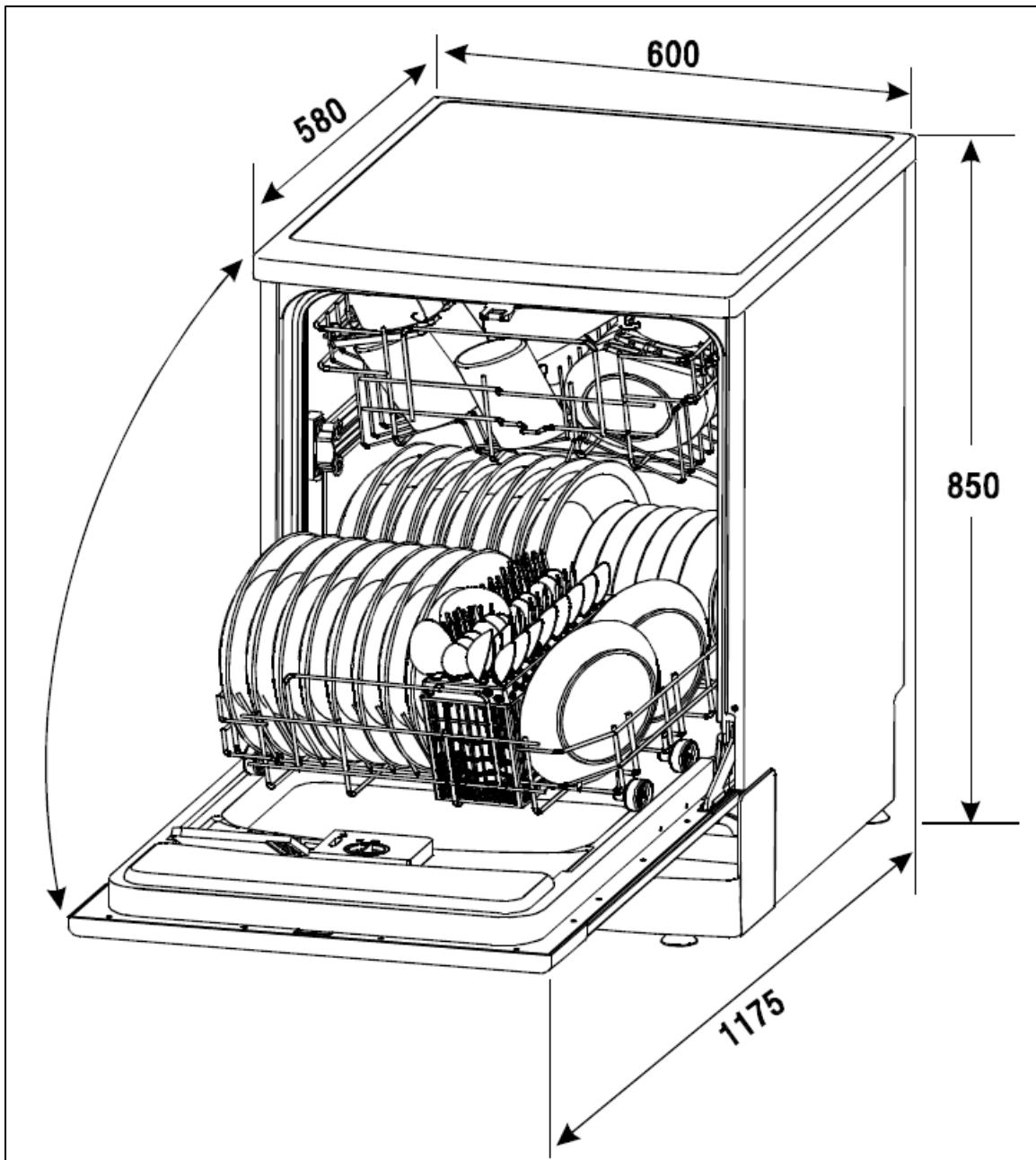
<i>Dishes and pans are not clean</i>	<b>Improper program</b>  <b>Improper loading</b>	<p>Select a more intense wash program.</p> <p>Make sure that the spray arms and the detergent dispenser are not being impeded by large dishes.</p>
<i>Spots and filming on glasses and pans</i>	<b>Extremely hard water</b> <b>Low inlet temperature</b> <b>Improper loading</b> <b>Improper detergent</b> <b>Incorrect salt/rinse aid levels</b>	<p>Refer to the relevant sections of this booklet, to ensure that the detergent, salt and rinse aid levels are set correctly. Ensure that the appliance is loaded correctly.</p>
<i>Steam</i>	<b>A normal phenomenon</b>	<p>You may get a small amount of steam coming through the vent by the door latch, during drying and water draining.</p>
<i>Black or grey marks on dishes</i>	<b>Aluminium utensils have rubbed against dishes</b>	<p>Use a mild abrasive cleaner to eliminate the marks. Make sure that the appliance is loaded correctly in future.</p>
<i>Water standing in the bottom of the tub</i>	<b>This is normal</b>	<p>A small amount of clean water in the base of the appliance is not something to be concerned about.</p>
<i>Dishwasher leaks</i>	<b>The rinse aid dispenser is overfilled or rinse aid has been spilt inside the appliance</b>  <b>Dishwasher isn't level</b>	<p>Take care not to overfill the rinse aid dispenser. Spilt rinse aid could cause oversudsing and lead to overflowing. Wipe away any spills immediately with a damp cloth.</p> <p>Make sure that the dishwasher is level.</p>

## Installation



**IMPORTANT: THIS INSTALLATION MUST BE COMPLETED BY A SUITABLY QUALIFIED PERSON. BAUMATIC ONLY SANCTION THE INSTALLATION GIVEN IN THIS INSTRUCTION MANUAL. YOU SHOULD DISPOSE OF ALL PACKAGING IN AN ENVIRONMENTALLY FRIENDLY MANNER.**

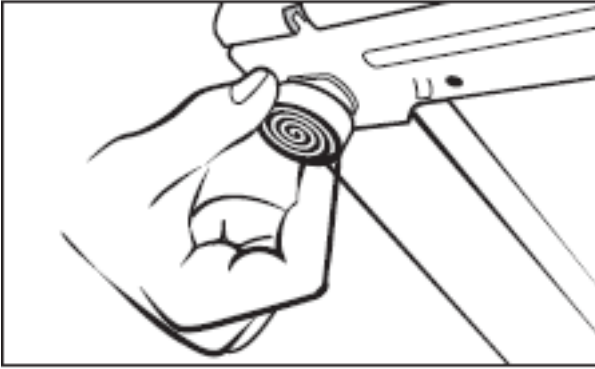
### Positioning and levelling the appliance



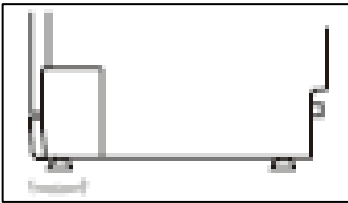
- ✓ Remove all packaging from the outside and inside of the dishwasher.

✓ Place the dishwasher on a solid and level floor surface.

✓ **DO NOT PLACE THE DISHWASHER ON A CARPET.**



✓ Loosen the adjustable feet that are positioned on the base of the appliance.

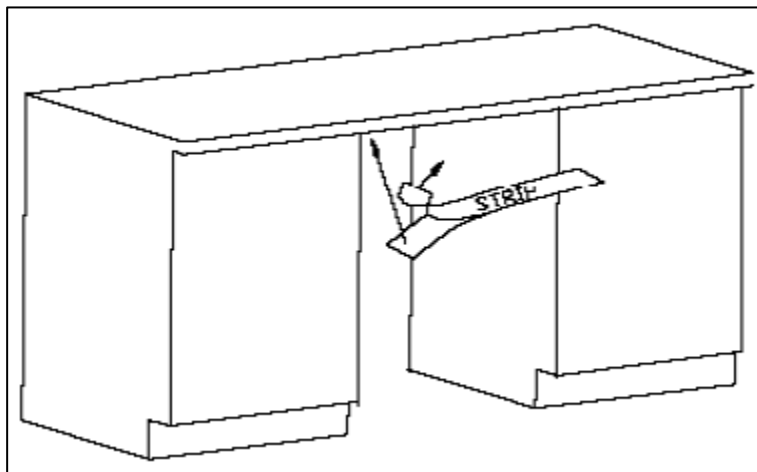


✓ Adjust each of the four feet until the appliance is level.



**IMPORTANT:** When the dishwasher is positioned in the location where it will be used. Make sure that all four feet are resting firmly on the floor, by pressing down on each corner and checking that the appliance stands still.

### Applying the condensation strip



- The condensation strip must be fitted to the underside of the worktop to protect it against the ingress of moisture. The strip will deflect steam that rises from your appliance, away from the underneath of the worktop.
- The condensation strip will be located inside of your dishwasher.

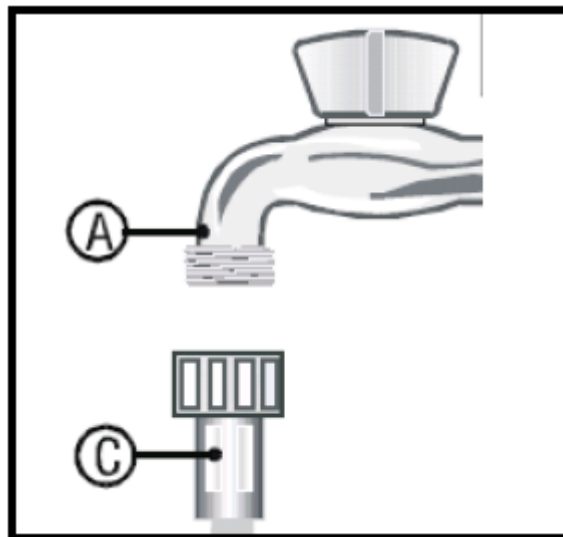
- Ensure that the underneath of the worktop is clean before sticking the strip to it.
- Separate the backing paper away from the strip.
- Stick the condensation strip to the underneath of the worktop.
- **IMPORTANT:** Failure to attach the condensation strip could result in damage to your worktop.

### Connecting to the mains water supply



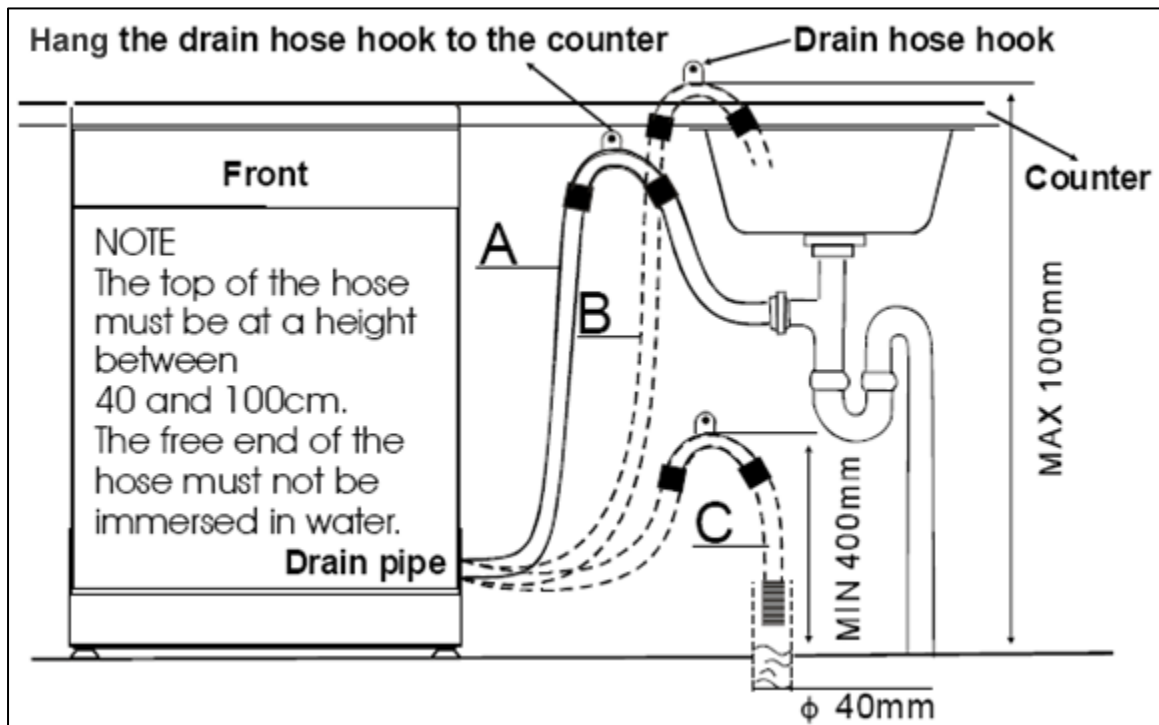
**IMPORTANT:** Do not connect the appliance to your mains water supply using an old or an existing water inlet hose. The inlet hose supplied with the dishwasher is the **ONLY** one that should be used.

**DO NOT CONNECT THE WATER INLET HOSE TO A HOT WATER TAP.**



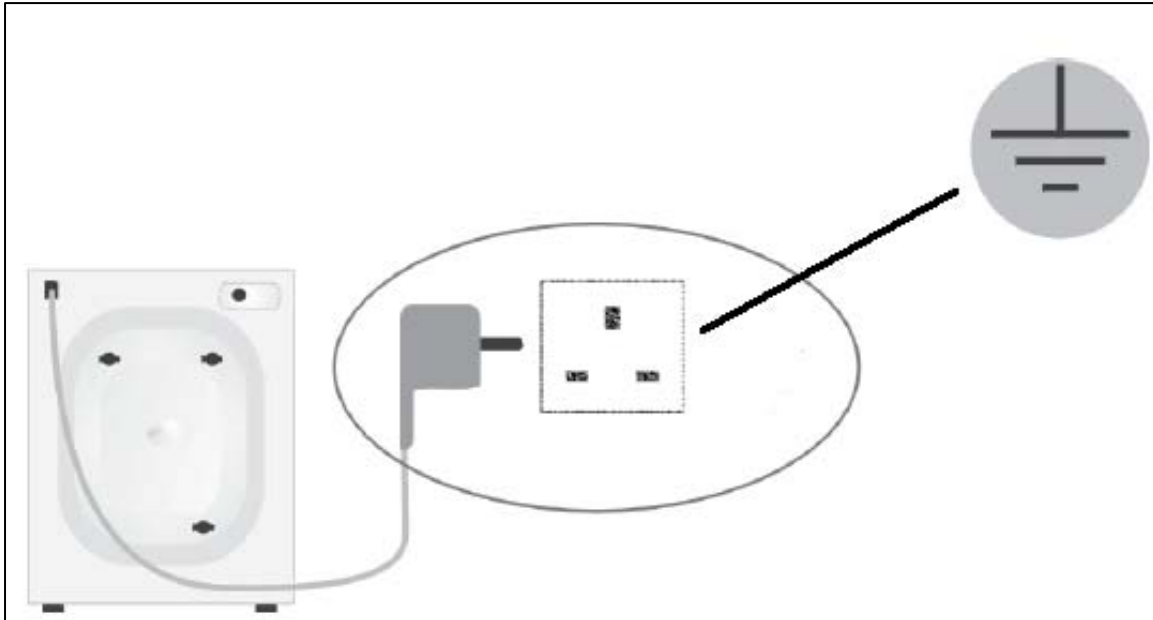
- The inlet hose will be located inside the cabinet of the dishwasher.
- Connect the water inlet hose (**C**) to a threaded water tap (**A**) that has a 3/4" thread and to the inlet hose connector on the appliance.
- Fully tighten the inlet hose to the water tap and the dishwasher.

## Water outlet



- ✓ The above line drawing shows three different ways in which you can position the drain hose.
- ✓ Secure the drain hose, so that it cannot move whilst the dishwasher is in use.
- ✓ Place the end of the drain hose on your drain pipe. Push it a short way down into your drain pipe.
- ✓ **IMPORTANT:** Do not insert the drain hose too deeply into the water pipe, as this may cause siphoning.
- ✓ **NEVER EXTEND THE DRAINAGE HOSE FROM ITS ORIGINAL LENGTH.**

## Power supply



- ✓ **IMPORTANT:** The electrical socket must still be accessible once the appliance is installed.



- ✓ Consult the rating plate, located on the right hand side of the drop down door **BEFORE** making the electrical connections. Ensure that the voltage reaching the plug is the same as that on the rating plate.
- ✓ **DO NOT REMOVE THE RATING PLATE AS THE INFORMATION ON IT IS IMPORTANT.**
- ✓ The moulded plug that is supplied with the appliance must be placed into an earthed and insulated socket.
- ✓ Broken or damaged power leads must only be replaced by a suitably qualified person. A power lead of a similar type must be used in replacement.
- ✓ Power lead type – H 0 V V – F 3G 1,5.

✓ **IMPORTANT:** *We do not recommend that this appliance is connected to an extension lead.*

### **Before first use**

You should check the following before using the appliance for the first time:-

- That the dishwasher is level and fixed in position.
- That the water tap is fully open.
- That there are no leaks at either end of the drain or inlet hoses.
- That the inlet and outlet hose are fully tightened.
- That the inlet and outlet hoses are not kinked.
- That the power is switched on.
- That the water softener has been filled with 1 litre of water and salt.
- That the rinse aid dispenser has been filled.





***United Kingdom***

Baumatic Ltd.,  
Baumatic Buildings,  
6 Bennet Road,  
Reading, Berkshire  
RG2 0QX  
United Kingdom

**Sales Telephone**

(0118) 933 6900

**Sales Fax**

(0118) 931 0035

**Customer Care Telephone**

(0118) 933 6911

**Customer Care Fax**

(0118) 986 9124

**Spares Telephone**

(01235) 437244

**Advice Line Telephone**

(0118) 933 6933

**E-mail:**

sales@baumatic.co.uk  
customercare@baumatic.co.uk  
spares@baumatic.co.uk  
technical@baumatic.co.uk

**Website:**

www.baumatic.co.uk

***Republic of Ireland***

**Service Telephone**

1-890 812 724

**Spares Telephone**

091 756 771

***Czech Republic***

Baumatic CR spol s.r.o.  
Průmyslová zóna Sever 696  
460 11 Liberec 11  
Czech Republic

+420 483 577 200

www.baumatic.cz

***Slovakia***

Baumatic Slovakia, s.r.o.  
Galvániho 7/D  
Slovakia

+421 255 640 618

***Germany***

Baumatic Gmbh  
Lilienthalstrasse 1  
320 52 Herford  
Deutschland

+49 5221 694 99-0

www.baumatic.de

***Italy***

Baumatic Italia S.R.L.  
Via Galvani N.3  
35011 Campodarsego (PD)

+3904 9920 2297

www.baumatic.it

***Holland***

Baumatic Benelux B.V.  
Grindzuigerstraat 22  
1333 MS ALMERE  
Nederland

+3136 549 1555

www.baumatic.nl





