

**BC190.2SS 90cm
Single cavity gas
range cooker**

INSTRUCTION MANUAL



User Manual for your Baumatic

BC190.2SS

90 cm Single cavity gas range cooker



NOTE: This User Instruction Manual contains important information, including safety & installation points, which will enable you to get the most out of your appliance. Please keep it in a safe place so that it is easily available for future reference; for you or any person not familiar with the operation of the appliance.

DD 11/10/10

Contents

Environmental note	4
Important safety information	5 – 9
Specifications	9 – 11
Control panel	11
Using your gas range cooker	12–21
Before first use	12
Switching the gas oven on	12–13
Switching the gas grill on	13–14
Fitting the grill deflector	14
Using the minute minder	15
The oven light	15
Cooking guidelines	16
Warnings	16
Gas mark temperatures	17
Shelf levels	17
Base burner appliances	18
Cooking table	19
Using the hob top	20
Automatic ignition	20
Energy saving tips	21
Cleaning and maintenance	22-25
Cleaning the hob burners	23
Maintaining the cast iron pan stands	23
Replacing the oven bulb	23-24
Removing the oven doors for cleaning	24-25
Removing the inner door glass for cleaning	25-26
Installation	26-39
Positioning	26-28
Gas connection	28-29
Ventilation requirements	29
Gas Safety (Installation and Use) Regulations	30
Gas connection	30-31
Gas adjustment (Conversion to LPG for the hob top)	31-32
Minimum flow adjustment for hob gas taps	33
Gas adjustment (Conversion to LPG for the oven and grill)	34–35
Minimum flow adjustment for the oven and grill burners	35-36
Fitting a stability chain	36
Electrical connection	37
Connecting the mains supply cable	38
Replacing the mains supply cable	38–39
My appliance isn't working correctly	39
Contact details	40

Environmental note

This appliance is marked according to the European directive 2002/96/EC on Waste electrical and Electronic Equipment (WEEE). By ensuring this product is disposed of correctly, you will help prevent potential negative consequences for the environment and human health, which could otherwise be caused by inappropriate waste handling of this product.

The symbol  on the product, or on the documents accompanying the product, indicates that this appliance may not be treated as household waste. Instead it shall be handed over to the applicable collection point for the recycling of electrical and electronic equipment.

Disposal must be carried out in accordance with local environmental regulations for waste disposal.

For more detailed information about treatment, recovery and recycling of this product, please contact your local city office, your household waste disposal service or the shop where you purchased the product.



- The packaging materials that Baumatic uses are environmentally friendly and can be recycled.
- Please discard all packaging material with due regard for the environment.

Important safety information



Your safety is of the utmost importance to Baumatic. Please make sure that you read this instruction booklet **before** attempting to install or use the appliance. If you are unsure of any of the information contained in this booklet, please contact the Baumatic Advice Line.

General Information

- This appliance is designed for domestic household use and for the cooking of domestic foodstuffs.
- **IMPORTANT:** *The adjacent furniture and all materials used in the installation **must** be able to withstand a minimum temperature of 85°C above the ambient temperature of the room it is located in, whilst in use.*
- Certain types of vinyl or laminate kitchen furniture are particularly prone to heat damage or discolouration at temperatures below the guidelines given above.
- Any damage caused by the appliance being installed in contravention of this temperature limit, or by placing adjacent cabinet materials closer than 20 mm to the appliance, **will be the liability of the owner.**
- **IMPORTANT:** *Baumatic Ltd. **DO NOT** recommend that this appliance is installed on any type of marine vessel.*
- The use of this appliance for any other purpose or in any other environment without the express agreement of Baumatic Ltd. will invalidate any warranty or liability claim.
- Your new appliance is guaranteed against electrical or mechanical defects, subject to certain exclusions that are noted in Baumatic's Conditions Of Guarantee. The foregoing does not affect your statutory rights.
- **Repairs may only be carried out by Baumatic service engineers or their authorised service agent.**

Warning and safety instructions

- This appliance complies with all current European safety legislation. Baumatic do wish to emphasise that this compliance does not remove the fact that the appliance surfaces ***will become hot during use and retain heat after operation.***

Child Safety

- Baumatic strongly recommend that babies and young children are prevented from being near to the appliance and not allowed to touch the appliance ***at any time.*** During and after use, all surfaces will become hot.
- If it is necessary for younger family members to be in the kitchen, please ensure that they are kept under close supervision at all times.

General Safety

- Make sure that you understand the controls before using the appliance.
- Check that all of the controls on the appliance are turned off after use.
- Always stand back when opening the oven door, this will allow heat to disperse.
- Take care when removing items from the oven, as the contents may be hot.
- Always keep the oven doors closed when the oven is not in use.
- Always follow the basic principles of food handling and hygiene; this will prevent the possibility of bacterial growth.
- Always keep ventilation slots clear of obstructions.
- Keep fingers away from the hinge areas when closing the door, otherwise you may trap them.
- Oven gloves should be used when placing food in the oven cavity and when removing it. Care should be taken to avoid direct contact with the inside of the appliance.
- ***DO NOT LEAVE THE APPLIANCE UNATTENDED WHILST IN USE.***

- **Do not** place heavy objects on the oven door or lean on the oven door when it is open, as this can cause damage to the oven door hinges. Nobody should be allowed to sit or stand on any part of the cooker.
- **Do not** store chemicals, food stuffs, pressurised containers in or on the cooker or in cabinets immediately above or next to the cooker.
- **Do not** heat up unopened food containers, as pressure can build up which may cause the container to burst.
- **Do not** place flammable or plastic items on or near the hob burners, these types of materials should also not be placed in the oven or the compartment below the oven.
- **Do not** leave heated oil or fat unattended, as this is a fire risk. You should not fill a deep fat frying pan more than one third full of fat or oil; you should also not use a lid.
- **Do not** allow fat or oil to build up in the oven trays, grill pan or oven base.
- **Do not** place pans or baking trays directly on the base of the oven cavity, or line it with aluminium foil.
- **Do not** grill food containing fat without using a grill trivet. The grill trivet should never be covered with aluminium foil.
- **Do not** place hot enamel parts in water, leave them to cool first.
- **Do not** allow vinegar, coffee, milk, saltwater, lemon, tomato juice or any liquid with high sugar content to remain in contact with the enamel parts of the appliance. Spillages should be wiped up immediately.
- **Do not** allow electrical fittings or cables to come into contact with areas on the appliance that get hot.
- **Do not** use the appliance to heat the room it is located in or to dry clothing. No clothing should be placed over or near to the hob burners or oven door.
- **Do not** install the appliance next to curtains or soft furnishings.

- **Do not** attempt to lift or move cooking appliances by using the oven door or handle, as this may cause damage to the appliance or result in injury to the person lifting the appliance.

Cleaning

- Cleaning of the oven should be carried out on a regular basis.
- Great care should be taken whilst using this appliance and when following the cleaning procedure.
- **IMPORTANT:** *The appliance must be disconnected from the mains before following the cleaning procedure.*
- **IMPORTANT:** *Care must be taken when cleaning between the door glasses, and inside the inner frame as some of the edges maybe sharp due to the manufacturing process.*

Installation



This appliance must be correctly installed by a suitably qualified person, strictly in accordance with the manufacturer's instructions. Please see the specific section of this booklet that refers to installation.

- ***Baumatic Ltd. declines any responsibility for injury or damage, to person or property, as a result of improper use or installation of this appliance.***
- Heat, steam and moisture will be created during use of the appliance, take care to avoid injury and ensure that the room is adequately ventilated. If the appliance is going to be used for prolonged periods of time, then additional ventilation may be required.
- Please consult with your qualified installer if you are in any doubt about the amount of ventilation that you will require.

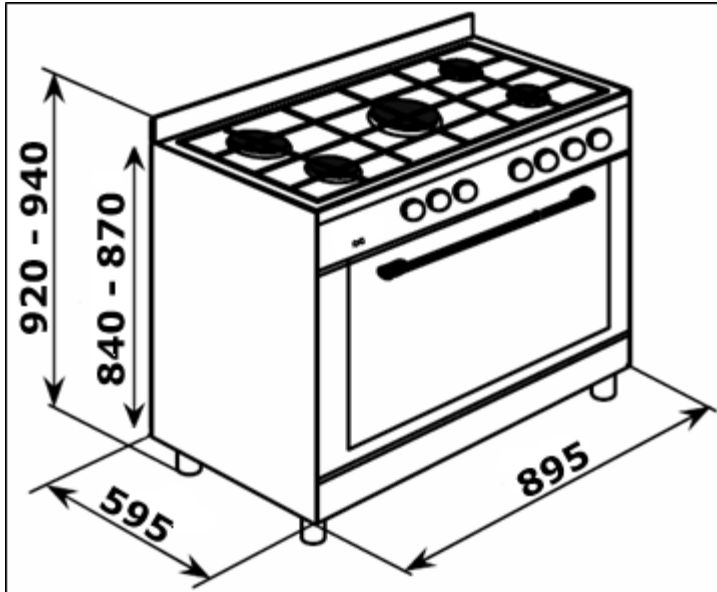
Declaration of conformity

This appliance complies with the following European Directives:

- 73/23/EEC regarding "low voltage"
- 89/336/EEC regarding "electromagnetic disturbances"
- 90/396/EEC regarding "gas appliances"
- 89/109/EEC regarding "materials in contact with food".

- The above directives comply with 93/68/EEC regarding CE marking.
- The manufacturer declares that the oven is built using certified materials and requires the appliance to be installed in accordance with the standards currently in force. This appliance must be used by a trained person for domestic purposes only.

Specifications



Product dimensions:

Height: 920 - 940 mm
 Width: 895 mm
 Depth: 595 mm

Product specifications:

- | | |
|---|---|
| <ul style="list-style-type: none"> ○ 5 burner gas hob: ○ 1 x 3.50 kW wok burner ○ 1 x 3.00 kW rapid burner ○ 2 x 1.75 kW semi-rapid burners ○ 1 x 1.00 kW auxiliary burner ○ Heavy duty cast iron pan stands ○ Automatic ignition | <ul style="list-style-type: none"> ○ Gas oven with grill: ○ Oven capacity: 110 litres ○ Flame failure device on oven and grill burner ○ Minute minder ○ Double glazed removable door ○ Removable inner door glass ○ Adjustable feet ○ Automatic ignition |
|---|---|

Standard accessories:

- Removable side racks
- Enamelled baking tray
- Safety shelf
- LPG conversion jets

Optional extras:

- BPS2 Pizza stone
- BTGRID Double-sided griddle plate
- WOK1E Enamelled wok stand

Electrical details

Rated Voltage:	230 Vac 50 Hz
Supply Connection:	13 A (double pole switched fused outlet with 3mm contact gap)
Fuse Rating:	3 A
Mains Supply Lead:	3 x 1.5 mm ²

Gas details

Gas Connection Type:	1/2" BSP
Gas Type (Natural Gas):	20 mbar
Gas Type (LPG):	See tables on page 32 and 35 for this information.

For future reference please record the following information which can be found on the rating plate and the date of purchase which can be found on your sales invoice. The rating plate for your oven can be located on the rear of the appliance.

Model Number

Serial Number

Date of Purchase

Control Panel

Main oven and grill control knob



- Use this control knob to light and set the temperature of the oven. It should also be used to light the grill in the oven cavity.

Hob control knobs



- Use these control knobs to light and control the hob burners.

Minute minder control knob



- Use this control knob to set a minute minder countdown.

Using your gas range cooker

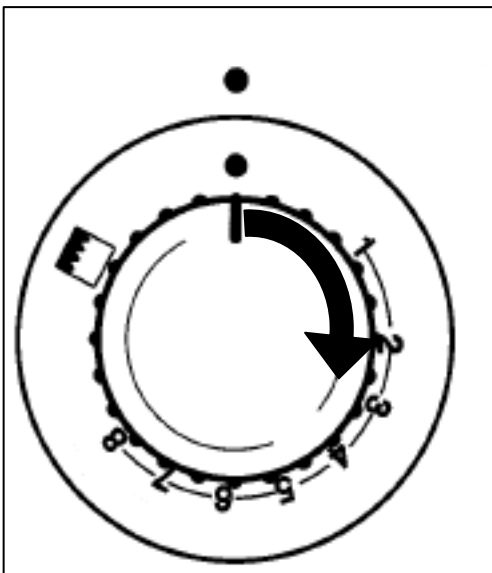
Before first use

- To remove any residue from the oven cavity that may have been left from the manufacturing process, you should light the gas oven and set it to its maximum temperature.
- It is perfectly normal for a smell to be produced during this process.
- You should make sure that any windows in the room are left open during this process.
- It is advisable for you not to remain in the room whilst the burning off process is taking place.
- You should leave the oven on maximum setting for 30 – 40 minutes.

Switching the gas oven on

The oven has automatic ignition, to light it you should do the following:-

- Open the oven door.



- Push the main oven control knob down fully and then turn it clockwise to the gas mark 8 position (the 8 has a * symbol above it).
- If you keep the control knob depressed, the automatic ignition for the burner will operate.
- The gas oven should light within 15 seconds.
- Once the burner has lit, continue to keep the control knob held down for a further 10 seconds. Otherwise the safety cut off will operate and block the flow of gas.

- **IMPORTANT:** When you are certain that the oven burner is fully lit, close the oven door. Turn the control knob clockwise until it reaches the gas mark that you desire.
- **DO NOT** turn the control knob past the gas mark 1 position, otherwise the burner may go out.
- If the gas oven does not light within 15 seconds, then release the control knob. **IMPORTANT: YOU MUST TURN THE CONTROL KNOB BACK TO ITS ORIGINAL POSITION; OTHERWISE GAS WILL CONTINUE TO BE RELEASED.**
- Wait for 1 minute, before repeating the ignition procedure again.



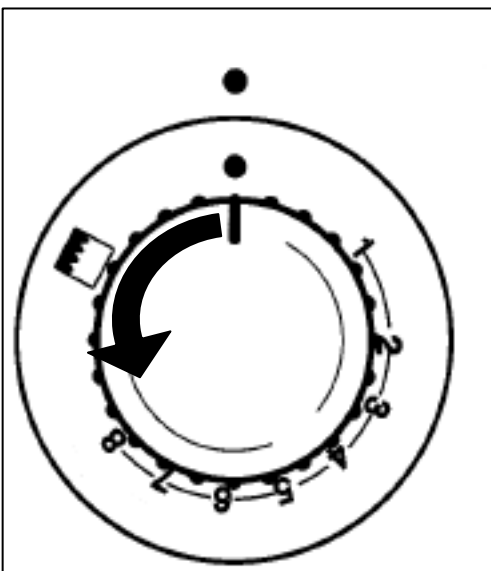
When lighting the oven for the first time, it may take several times until the automatic ignition operates. This is due to there being air in the gas pipe.

- To switch the gas oven off, turn the control knob fully anti-clockwise to the gas off position (the ● symbol is the off position).
- In case of power failure, the burners can be lit by carefully using a match.

Switching the gas grill on

The grill has automatic ignition, to light the grill you should do the following:-

- Open the door of the oven and **fit the grill deflector to the front of the appliance.**



- Push the main oven control knob down fully and then turn it anticlockwise to the grill symbol
- If you keep the control knob depressed, the automatic ignition for the burner will operate.
- The gas grill should light within 15 seconds.

- Once the burner has lit, continue to keep the control knob and ignition button held down for a further 10 seconds. Otherwise the safety cut off will operate and block the flow of gas.
- **THE OVEN DOOR MUST BE LEFT OPEN WHILST YOU ARE GRILLING AND THE GRILL DEFLECTOR SHOULD ALWAYS BE FITTED.**
- If the gas grill does not light within 15 seconds, then release the control knob. **IMPORTANT: YOU MUST TURN THE CONTROL KNOB BACK TO ITS ORIGINAL POSITION; OTHERWISE GAS WILL CONTINUE TO BE RELEASED.**
- Wait for 1 minute, before repeating the ignition procedure again.



When lighting the grill for the first time, it may take several times until the automatic ignition operates. This is due to there being air in the gas pipe.

- To switch the gas grill off, turn the control knob fully clockwise to the gas off position (the ● symbol is the off position).
- **IMPORTANT: You should allow the oven to cool completely before attempting to remove the grill deflector. If you attempt to remove the grill deflector before the oven is cool, the deflector will be hot.**

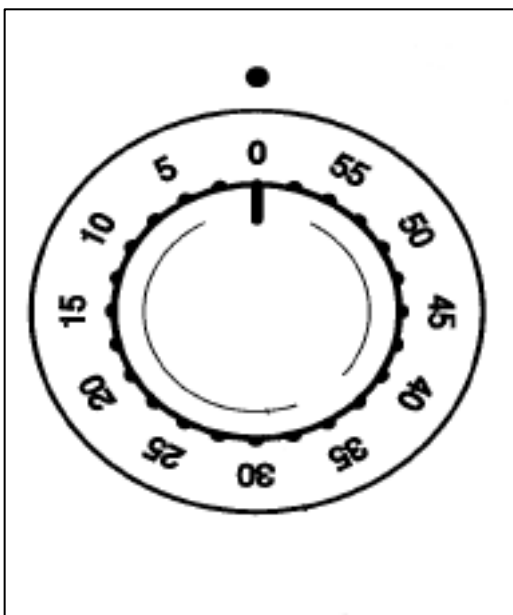
Fitting the grill deflector



- To fit the grill deflector, you should hang it from the relevant hooks, which are in the roof of the oven cavity.

Using the minute minder

The minute minder can be used independently of the oven or grill for a time period of up to 60 minutes.



- To set the timer, turn the knob fully clockwise until it stops and then turn it back anti-clockwise to the required time.
- The time period that has been set will expire when the control knob reaches zero, a brief audible signal will sound.



IMPORTANT: If you have the oven or grill in use whilst the timer is counting down. When the countdown ends, the oven will continue to heat. You must turn off the oven/grill using the main oven and grill control knob

The oven light



- The oven light button (pictured opposite), switches the light bulb on and off. Press this button down to switch the light on, then press the same button again to switch the light off.
- The oven light can be switched on, regardless of whether the oven/grill is in use.

Cooking guidelines

- Please refer to the information given on food packaging for guidance on cooking temperatures and times. Once familiar with the performance of your appliance, temperatures and times can be varied to suit personal preference.
- Preheat the oven for at least 15 minutes before placing food into the cavity.
- Make sure that frozen foods are thoroughly thawed before cooking, unless the instructions on the food packaging advise that you can “cook from frozen”.
- Before cooking, check that any unused accessories are removed from the oven.
- Place cooking trays in the centre of the oven and leave gaps between the trays to allow air to circulate.
- Try to open the door as little as possible to view the dishes.

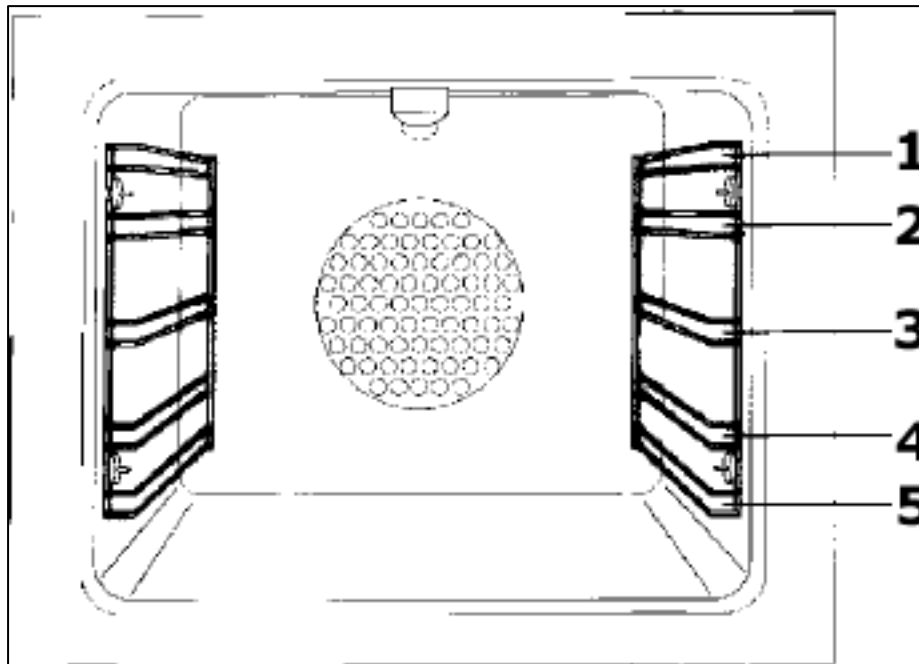
Warnings

- Keep the oven door open when using the grill function and make sure that the grill deflector is fitted.
- Do not use aluminium foil to cover the enamelled baking tray or heat items wrapped in aluminium foil under the grill.
- You should also never line the base of your oven with aluminium foil.
- During cooking, never place pans or cookware directly onto the bottom of your oven. They should always be placed on the shelf provided.
- The grill becomes extremely hot during operation, avoid touching it inadvertently when handling the food which you are grilling.
- ***Important:*** *Be careful when opening the door, to avoid contact with hot parts and steam.*
- When removing the enamelled baking tray, you should **ALWAYS** use an oven glove.

Gas mark temperatures

Gas mark number	Temperature (°C)
1	120°C
2	140°C
3	160°C
4	180°C
5	200°C
6	225°C
7	245°C
8	270°C

Shelf levels



- When using the grill function, it is recommended that you place the tray of food in shelf position 2. Position 1 should not be used as this is too close to the grill element.
- When using the oven function, it is recommended that you place the enamelled baking tray in shelf position 5 to prevent the base of the foods on the above shelves getting burnt by the intense heat from the burner.

Base burner appliances



IMPORTANT: *Your appliance is a Continental style/base burner gas oven, please follow the guidance below, to achieve the best cooking results.*

- There are two different types of heating methods for gas ovens, traditional U.K. style and Continental style.
- In U.K. style gas ovens, the hot air moves around the oven and the hottest part of the cavity is at the top.
- In Continental style gas ovens, the heat source is underneath the base of the oven, which means that the hottest part of the cavity is at the bottom.
- Your oven is a Continental style gas oven, which may require some adjustment in your cooking method, if you are used to a U.K. style gas oven.
- We would recommend that you place the enamelled baking tray into shelf position 5 (the lowest shelf position).
- This will deflect some of the fierce heat generated by the base burner away from the food that you are cooking.
- This will allow food to cook all of the way through, without getting burnt on the base.
- You may also need to make small adjustments to the cooking temperature and cooking times that you normally used previously.

Cooking table

	<i>Temperature (°C)</i>	<i>Shelf position</i>	<i>Approximate cooking time</i>
Meat			
Pork Roast	220°C	4	60 – 70 minutes
Beef Roast (calf)	250°C	4	50 – 60 minutes
Beef Roast	240°C	4	60 – 70 minutes
Veal Roast	220°C	4	60 – 70 minutes
Lamb Roast	220°C	4	45 – 55 minutes
Roast Beef	230°C	4	55 – 65 minutes
Roast Hare	235°C	4	40 – 50 minutes
Roast Rabbit	220°C	4	50 – 60 minutes
Roast Turkey	235°C	4	50 – 60 minutes
Roast Goose	225°C	4	60 – 70 minutes
Roast Duck	235°C	4	45 – 60 minutes
Roast Chicken	235°C	4	40 – 45 minutes
Fish	220 - 225°C	3	15 – 25 minutes
Pastry			
Fruit Pie	200°C	3	35 – 40 minutes
Tea Cake	190°C	3	50 – 55 minutes
Brioche	175°C	3	25 – 30 minutes
Sponge Cake	235°C	3	20 minutes
Ring Cake	190°C	3	30 – 40 minutes
Sweet Puff Pastries	220°C	3	20 minutes
Raisin Loaf	220°C	3	15 – 20 minutes
Strudel	180°C	3	15 – 20 minutes
Cookies	190°C	3	15 minutes
Apple Fritters	220°C	3	20 minutes
Sponge Biscuit	220°C	3	20 – 30 minutes
Toasted Sandwich	250°C	4	5 minutes
Bread	220°C	3	30 minutes
Pizza	220°C	3	20 minutes

Using the hob top

The following symbols will appear on the control panel, next to each control knob:



Black circle: gas off



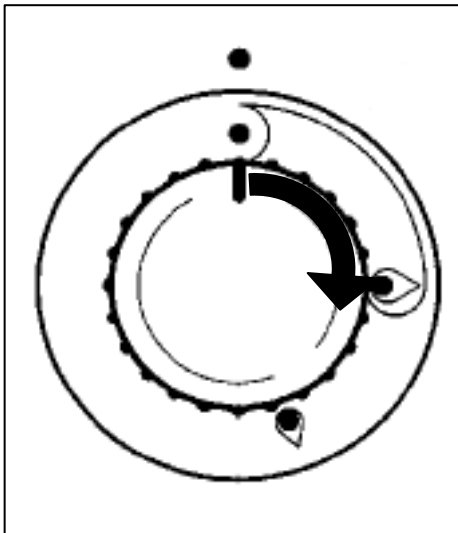
Large flame: maximum setting



Small flame: minimum setting

- The minimum setting is at the end of the clockwise rotation of the control knob.
- All operation positions must be selected between the maximum and minimum positions.
- Never select a knob position between the maximum and off position.

Automatic ignition



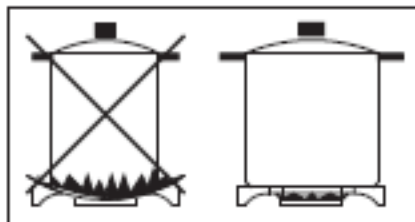
To ignite a burner:

- Press in the control knob of the burner that you wish to light and turn it clockwise to the maximum position.
 - If you keep the control knob depressed, the automatic ignition for the burner will operate.
-
- Once the burner is lit, turn the control knob to your required setting between the maximum and minimum setting symbols.
 - To turn the burner off, turn the control knob fully anti-clockwise to the gas off position.
 - In case of power failure, the burners can be lit by carefully using a match.

Energy saving tips

BURNERS	PANS	
	Minimum diameter	Maximum diameter
Wok	220 mm	260 mm
Rapid	180 mm	260 mm
Semi-rapid	140 mm	260 mm
Auxiliary	120 mm	140 mm

- The diameter of the bottom of the pan should correspond to that of the burner.



- The burner flame must never extend beyond the diameter of the pan.
- Use flat bottomed pans only
- When possible, keep a lid on the pan whilst cooking.
- Cook vegetables with as little water as possible, to reduce cooking times.

IMPORTANT: Always place pans centrally over the hob burners and position them so that the handles cannot get accidentally caught or knocked off. You should also make sure that the handle is not over one of the other hob burner flames.



Cleaning operations must only be carried out when the oven is cool.

The appliance should be disconnected from your mains supply before commencing any cleaning process.

- The oven should be thoroughly cleaned before it is operated for the first time and after each use. This will avoid residual food stuffs becoming baked on the oven cavity. After residues have been baked on several times, they are far more difficult to remove.
- ***Never*** clean the oven surfaces by steam cleaning.
- The oven cavity should only be cleaned with warm soapy water, using either a sponge or soft cloth. No abrasive cleaners should be used.
- Any stains that may appear on the bottom of the oven will have originated from food splashes or spilt food, these splashes occur during the cooking process. These could possibly be a result of the food being cooked at an excessively high temperature or being placed in cookware that is too small.
- You should select a cooking temperature that is appropriate for the food that you are cooking. You should also ensure that the food is placed in an adequately sized dish and that you use the enamelled baking tray where appropriate.
- Outer parts of the oven should only be cleaned with warm soapy water, using either a sponge or soft cloth. No abrasive cleaners should be used.
- We would recommend that an appropriate stainless steel cleaner and polish is regularly used on the stainless steel surfaces of this appliance.
- If you use any form of oven cleaner on your appliance, then you must check with the manufacturer of the cleaner that it is suitable for use on your appliance.
- ***Any damage that is caused to the appliance by a cleaning product will not be fixed by Baumatic free of charge, even if the appliance is within the guarantee period.***

Cleaning the hob burners

The hob burners should be cleaned once a week or more frequently if they get soiled.

- Remove the hob burners by pulling them upwards and away from the hob top.
- Soak them for about ten minutes in hot water and a little detergent.
- After cleaning and washing them, wipe and dry them carefully.
- Before placing the burners back on the hob top, ***make sure that the gas jet is not blocked.***
- ***IMPORTANT:*** Make sure that you reassemble the burners in the original way.

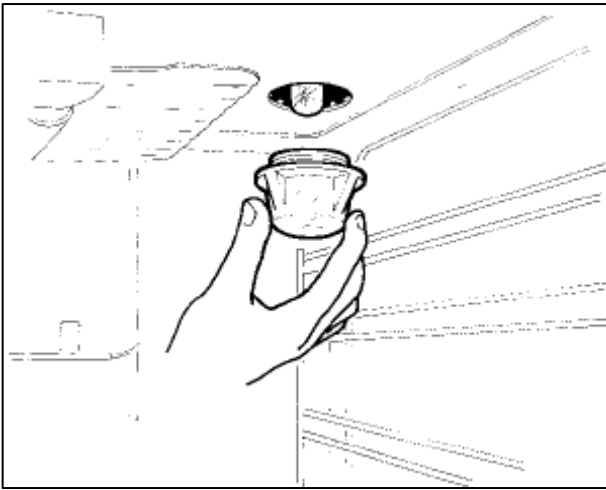
Maintaining the cast iron pan stands

- ***IMPORTANT:*** Make sure that the hob surface and pan stands have cooled before you attempt to touch them.
- Wipe the pan stands over with a soft, damp cloth that has been put into warm soapy water. The cloth should be wrung out after being taken out of the soapy water.
- Using a paper towel, thoroughly dry the pan stands.
- To maintain the appearance of the cast iron pan stands, we would recommend that you rub a small amount of olive oil into the pan stands. After you have finished cleaning them.

Replacing the oven bulb



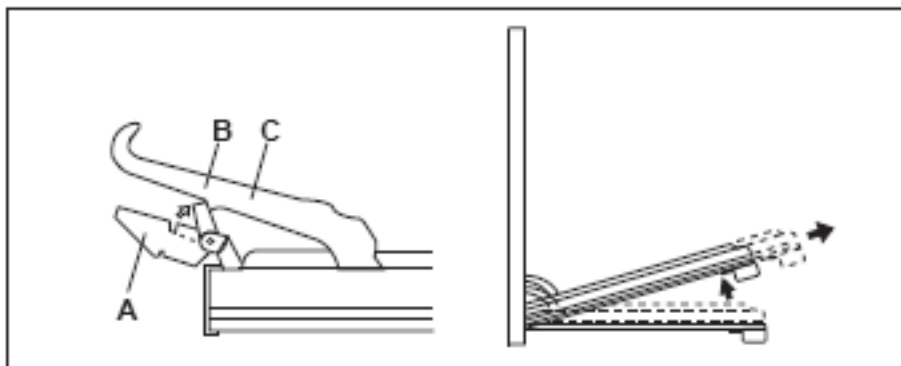
IMPORTANT: The oven must be disconnected from your mains supply before you attempt to either remove or replace the oven bulb.



- Remove all oven shelves and the enamelled baking tray.
- Unscrew the lamp cover.
- Unscrew the bulb and remove it from its holder.

- Replace the bulb with a 15 W/300°C, screw type pigmy.
- **Do not** use any other type of bulb.
- Screw the lamp cover back into its original position.

Removing the oven door for cleaning



- Open the oven door fully.
- The hinges **(A)** are provided with two movable hooks **(B)**.
- Rotate the hooks into the slot **(C)**.
- You should grip the sides of the door at the centre and incline it slightly towards the oven cavity. Then pull the door gently away from the oven cavity.
- **IMPORTANT:** You should make sure that the door is supported at all times and that you place the door on some padded material whilst cleaning it.
- The oven door and door glass should only be cleaned using a damp cloth and a small amount of detergent. The cloth **MUST NOT** have come into contact with any form of cleaning product or chemical previously.

- Replace the oven door by introducing the hinges back into their relevant slots. Before closing the doors **DO NOT FORGET TO RESET THE MOVABLE HOOKS.**
- **DO NOT** attempt to move the hooks whilst the door is not attached to the oven, as the hinges are under high spring tension and injury may result.

Removing the inner door glass for cleaning



- To facilitate cleaning, the inner door glass can be lifted out of the oven door.
- Open the door fully; you will see four screws on the edges of the door glass. You should use a screwdriver to remove these screws.
- Using both hands lift the inner door glass out of the oven door.
- **IMPORTANT: When the inner door glass is removed from the door, then the door springs will be under higher tension than normal.**
- The oven door glass should only be cleaned with warm soapy water, using either a sponge or soft cloth. These should not have come into contact with any other chemical previously. Do not use any abrasive cleaner that could cause damage to the glass.
- Remember that if the surface of the glass panel becomes scratched, this could lead to a dangerous failure.
- When refitting, make sure that the glass is correctly seated in the door recess and the correct way round. You should slide the door glass back into its original position.
- Using a screwdriver fully tighten the screws that you removed previously.

- **IMPORTANT:** Do not attempt to remove the door glass only using one hand.
- **IMPORTANT:** Care must be taken when cleaning between the door glasses, and inside the inner frame as some of the edges maybe sharp due to the manufacturing process.

Installation



The installation must be carried out by a suitably qualified person, in accordance with the current version of the following.

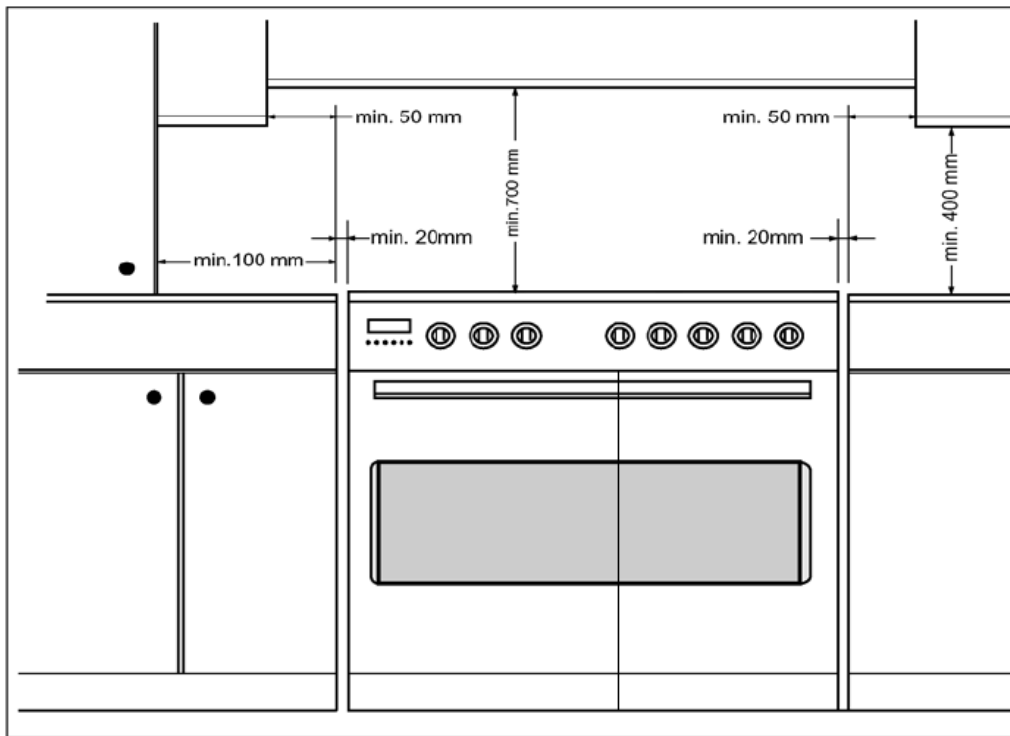
- **UK Regulations and Safety Standards or their European Norm Replacements.**
- **Building Regulations** (issued by the Department of the Environment).
- **Building Standards** (issued by the Scottish Development Department).
- **IEE Wiring Regulations.**
- **Electricity At Work Regulations.**
- **Gas Safety (Installation and Use) (Amendment) Regulations.**

Positioning

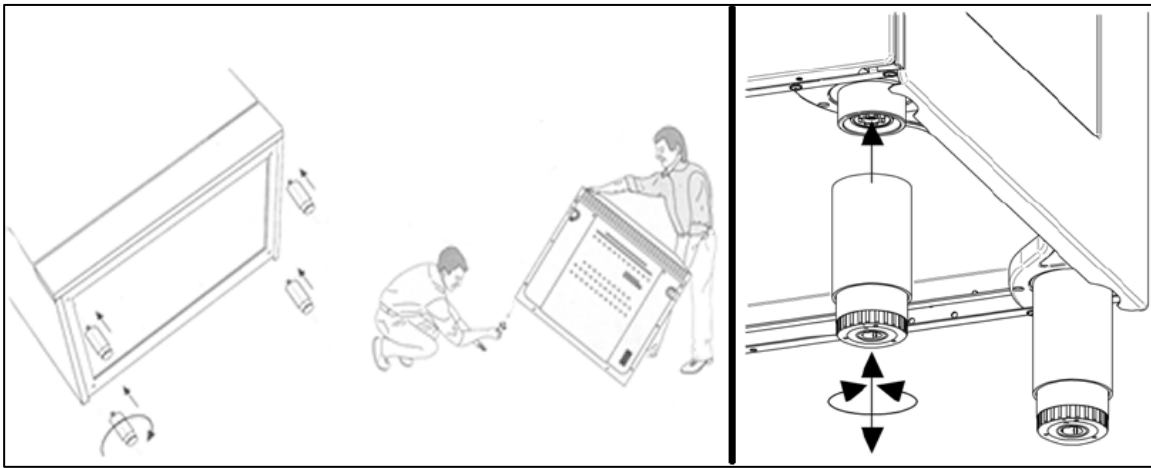


The adjacent furniture and all materials used in the installation must be able to withstand a minimum temperature of 85°C above the ambient temperature of the room it is located in, whilst the appliance is in use.

- Your appliance is heavy, so you should be careful when moving or positioning it.
- **Do not** try to move the cooker by pulling on either the door, handle or control panel.
- The oven may be located in a kitchen, or a bedroom, but not in a room containing a bath or shower. **The oven must not be installed in a bedroom of less than 20m³ in size.**
- **LPG models** must not be installed in a room or internal space below ground level (e.g. in a basement).



- The cooker is designed to slot in between 600 mm deep cabinets, which are spaced approximately 940 mm apart.
- It can also be used as freestanding, with a cabinet to one side, in a corner setting or with its back to a wall.
- **IMPORTANT:** *It should not be installed at the end of a run of cabinets, if there is a cabinet at immediate right angles to the cooker door.*
- The wall behind the cooker and 450 mm above and across the width of the cooker should be an incombustible material and preferably an easy clean surface, such as ceramic tiles.
- Any overhanging surface or cooker hood should be **at least 700 mm** above the highest point on the hob top (including the burners).
- Baumatic do not recommend that the cooker is positioned below wall cupboards, as the heat and steam from the appliance and what is being cooked, may damage the cupboard and its contents.



- The cooker is fitted with four legs that can be adjusted to match the height of your kitchen cabinets.
- To assemble them it is necessary to raise the cooker and to screw the four legs into position, on each corner of the base of the appliance.
- **IMPORTANT:** They must be screwed clockwise into position and not just slotted into the holes on each corner.

Gas connection



This appliance must be installed by a competent person in accordance with the current versions of the following UK (United Kingdom) or ROI (Republic of Ireland) Regulations and Safety Standards or their European Norm Replacements.

Important information

- This cooker is supplied to run on **natural gas only** and cannot be used on any other type of gas without modification.
- Conversion for use on LPG and other gases must only be undertaken by a qualified person. For information on the use of other gases, please contact the Baumatic Advice Line.
- The cooker must be installed by a qualified person, in accordance with the current edition of the Gas Safety (Installation and Use) (Amendment) Regulations and the relevant building/I.E.E. Regulations.
- Failure to install the appliance correctly could invalidate Baumatic's guarantee and lead to prosecution under the regulations quoted above.

- In the UK, **GASSAFE** registered installers are authorised to undertake the installation and service work, in compliance with the above regulations.

Ventilation requirements

- The room containing the cooker should have an air supply in accordance with the current edition of BS 5440: Part 2:
- The room must have opening windows or equivalent; some rooms may also require a permanent vent.
- If the room has a volume between 5 and 10m³, it will require an air vent of 50cm² (effective area). Unless it has a door which opens directly to the outside.
- If the room has a volume of less than 5m³, it will require an air vent of 100cm² (effective area).
- If there are any other fuel burning appliances in the same room the current edition of BS 5440: Part 2: should be consulted to determine air vent requirements.
- Ensure that the room containing the cooker is well ventilated, keep natural ventilation holes or install a mechanical ventilation device (mechanical cooker hood).
- Prolonged intensive use of the appliance may call for additional ventilation, either by the opening of a window, or by increasing the level of the mechanical ventilation device (where present).
- This cooker is not fitted with a device for discharging the products of combustion. Ensure that the ventilation rules and regulations are followed.
- Excess steam from the oven, vents out at the top back edge of the cooker, so make sure that the walls behind and near the cooker are resistant to heat, steam and condensation.
- Your cooker must stand on a flat surface so that when it is in position the hob is level. When in position check that the cooker is level by using a spirit level and adjust the two feet at the rear and the two feet at the front if necessary.
- Remember that the quantity of air necessary for combustion must never be less than 2m³/h for each kW of power (see total power in kW on the appliance rating plate).

Gas Safety (Installation and Use) Regulations

- It is the law that all gas appliances are installed by competent persons in accordance with the current edition of the **Gas Safety Installation and Use Regulations**.
- It is in your interest and that of safety to ensure compliance with the law.
- In the UK, GASSAFE registered installers work to safe standards of practice. The cooker must also be installed in accordance with the current edition of BS 6172. Failure to install the cooker correctly could invalidate the warranty, liability claims and lead to prosecution.
- **IMPORTANT: It is a requirement for a stability chain to be fitted to the appliance. Please see page 36 for more detailed information on this.**

Gas connection



ALL INSTALLATION AND SERVICE WORK MUST BE CARRIED OUT BY A GASSAFE REGISTERED ENGINEER.

- Prior to installation, ensure that the gas supply conditions (nature of the gas and gas pressure) and the adjustment conditions are compatible. The adjustment conditions for this appliance are stated on the rating plate which can be found on the back cover.
- This appliance is not designed to be connected to a combustion product evacuation device. Particular attention should be given to the relevant requirements regarding ventilation.
- Connection to the cooker should be made with an approved appliance flexible connection to BS 669.
- A fixed elbow is already connected to the gas rail.
- A 15 mm end feed (male) must be connected to the fixed elbow. A fibre washer must be placed in the end of the feed that connects to the fixed elbow.
- A straight female to female equal black connector must then be attached. The approved flexible connection should be made to this.

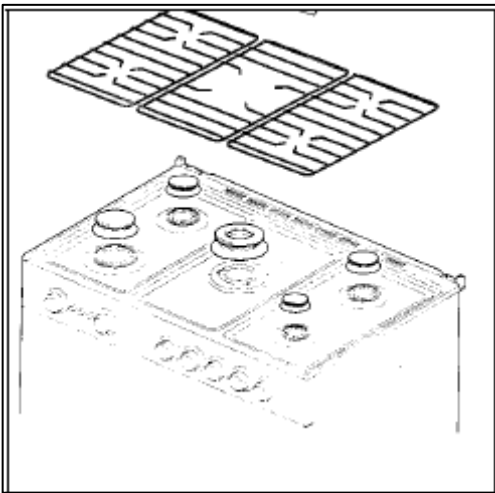
- If the cooker has been converted for use with LPG, then it should be connected to the gas supply using an appropriate bayonet type hose. The hose **MUST** be suitable for use with LPG gas, these are identifiable by a red band or stripe.
- A hose length of 0.9m to 1.25m is recommended. The length of hose chosen should be such that when the cooker is in situ, the hose does not touch the floor.
- Care should be taken to ensure that the temperature rise of areas at the rear of the cooker that are likely to come in contact with the flexible hose do not exceed 70°C.
- Gas pressure may be checked on a semi-rapid hob burner. Remove the appropriate injector and attach a test nipple. Light the other burners and observe that the gas pressure complies with the gas standards in force.

Gas adjustment (Conversion to LPG for the hob top)



All work must be carried out by a GASSAFE registered engineer.

IMPORTANT: Always isolate the cooker from the electricity supply before changing the injectors and/or adjusting the minimum flow of the burners.



- Remove the pan-stands, burners and flame spreaders.



- Unscrew the injector and replace it with the stipulated injector for the new gas supply (see table below).

Burner	Types of gas	Pressure (mbar)	Injector Marking (1/100 mm)	Gas consumption		Power (kW)	
				g/h	l/h	Max.	Min.
Auxiliary	Natural (G20)	20	72	-	95	1.00	0.48
	Butane (G30)	30	50	73	-		
	Propane (G31)	37	50	71	-		
Semi-rapid	Natural (G20)	20	97	-	167	1.75	0.60
	Butane (G30)	30	65	127	-		
	Propane (G31)	37	65	125	-		
Rapid	Natural (G20)	20	115	-	286	3.00	1.05
	Butane (G30)	30	85	254	-		
	Propane (G31)	37	85	250	-		
Wok	Natural (G20)	20	135	-	286	3.50	1.80
	Butane (G30)	30	95	218	-		
	Propane (G31)	37	95	214	-		

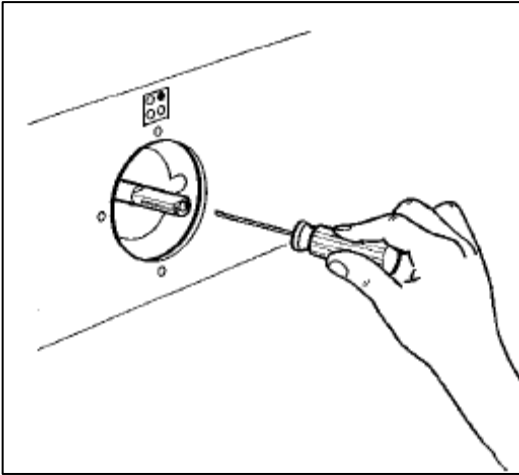
- Reassemble all the burners carefully; in particular you should make sure that the flame spreader is correctly placed on the burner.

IMPORTANT: After changing the injectors YOU MUST follow the minimum flow adjustment section on the next page.

Minimum flow adjustment for hob gas taps.



All work must be carried out by a GASSAFE registered engineer.



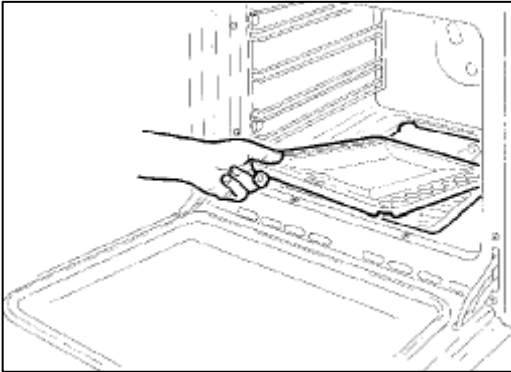
- Light the burner and set the knob at the minimum position.
- Remove the knob from the tap and place a small bladed screwdriver in the centre of the tap shaft.
- Unscrew the adjusting screw, in order to increase the gas flow or tighten the adjusting screw to decrease the gas flow.
- The correct adjustment is obtained when the flame has a length of about 3 – 4 mm.
- For butane/propane gas, the adjusting screw must be tightly screwed in.
- Refit the control knob.
- Make sure that the flame does not go out by quickly turning from maximum flow to minimum flow. If it does then remove the control knob and make further adjustments to the gas flow, testing it again once the adjustment has been made.
- **IMPORTANT: On completion carry out a gas tightness test.**

Gas adjustment (Conversion to LPG for the oven and grill)

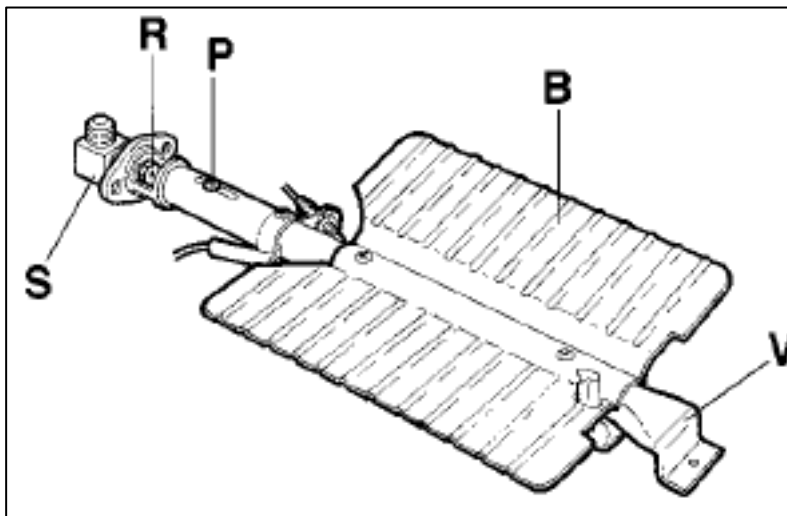


All work must be carried out by a GASSAFE registered engineer.

IMPORTANT: Always isolate the cooker from the electricity supply before changing the injectors and/or adjusting the minimum flow of the burners.



- Remove the burner base from the bottom of the oven.



- Loosen the burner screw (**V**) and then carefully pull the burner away from its support. **IMPORTANT: Care must be taken to ensure that no damage is caused to the ignition plug or the thermocouple.**
- Unscrew the injector using a 10 mm spanner and replace it with the stipulated injector for the new gas supply (see table on the next page).

Burner	Types of gas	Pressure (mbar)	Injector Marking (1/100 mm)	Gas consumption		Power (kW)	
				g/h	l/h	Max.	Min.
Oven	Natural (G20)	20	150	-	429	4.50	2.00
	Butane (G30)	28	95-X	218	-		
	Propane (G31)	37	95-X	214	-		
Grill	Natural (G20)	20	115	-	191	2.00	N/A
	Butane (G30)	28	68	145	-		
	Propane (G31)	37	68	143	-		

IMPORTANT: You must change the oven and grill injectors.

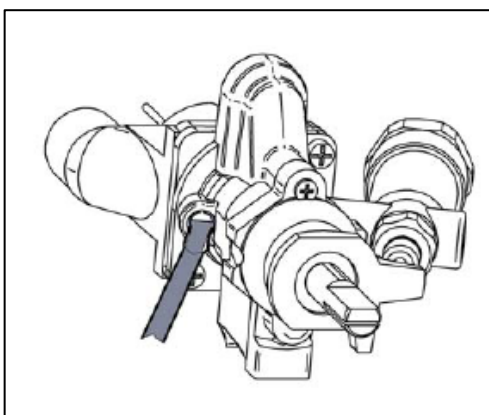
IMPORTANT: After changing the injectors YOU MUST follow the minimum flow adjustment section below.

Minimum flow adjustment for the oven and grill burners



All work must be carried out by a GASSAFE registered engineer.

- Light the burner and set the knob at the minimum position.



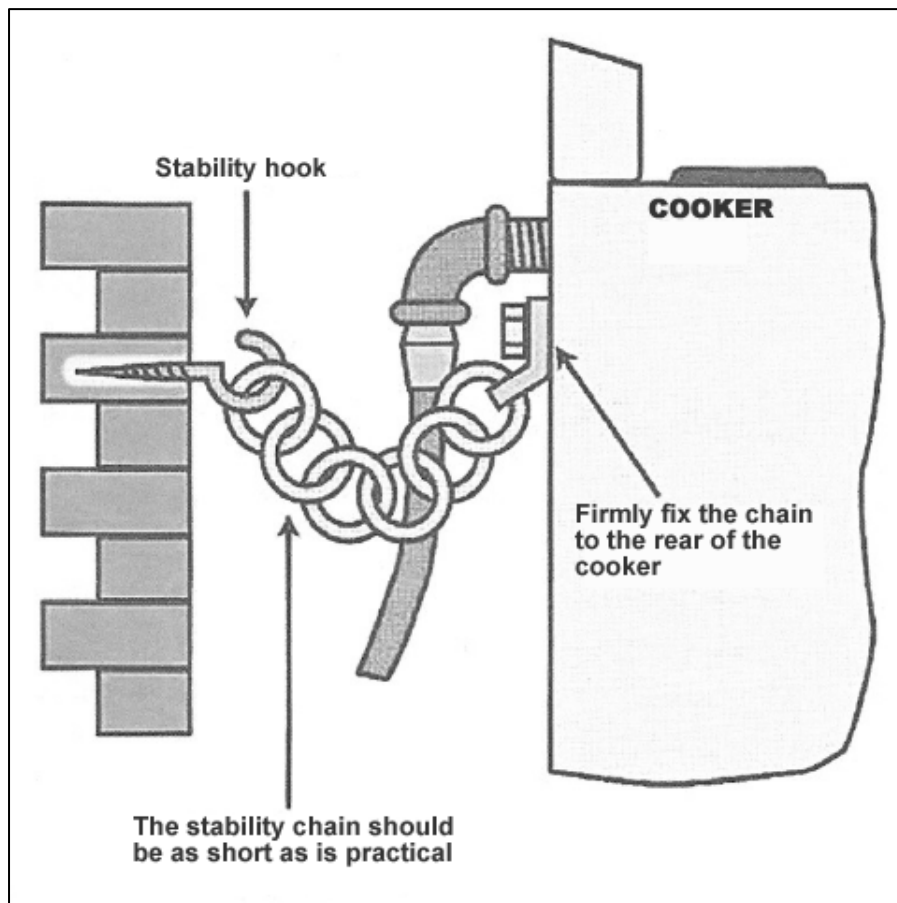
- Remove the knob from the tap and place a small bladed screwdriver in the screw indicated in the picture opposite.
- Unscrew the adjusting screw, in order to increase the gas flow or tighten the adjusting screw to decrease the gas flow.
- The correct adjustment is obtained when the flame has a length of about 3 – 4 mm.

- For butane/propane gas, the adjusting screw must be tightly screwed in.
- Refit the control knob.
- Make sure that the flame does not go out by quickly turning from maximum flow to minimum flow. If it does then remove the control knob and make further adjustments to the gas flow, testing it again once the adjustment has been made.
- **IMPORTANT: On completion carry out a gas tightness test.**

Fitting a stability chain



IMPORTANT: It is a legal requirement for your GASSAFE registered installer to fit a stability chain.



The stability hook should be securely fixed to the fabric of the building, in an adjacent position to the safety chain at the rear of the appliance.

The chain should be kept as short as is practical.

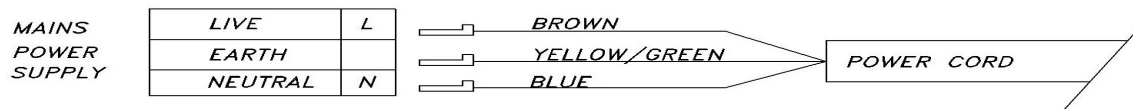
Electrical connection



This appliance must be installed by a qualified person in accordance with the latest edition of the I.E.E. Regulations and in compliance with Baumatic's instructions.

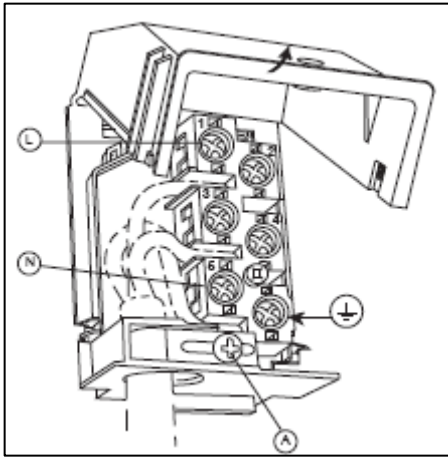
WARNING: THIS APPLIANCE MUST BE EARTHED.

- Before connecting the appliance, make sure that the supply voltage marked on the rating plate corresponds with your mains supply voltage.
- This appliance should be wired into a 13 A double pole switched fused spur outlet, having 3 mm contact separation and the fuse rating reduced to 3 amps. This should be placed in an easily accessible position adjacent to the appliance, preferably above worktop level. An outlet can then be located at the rear of the appliance for connection.



- Care must be taken to ensure that the temperature of the mains supply cable does not exceed 50°C.
- If the mains supply cable is damaged, then it must be replaced by an appropriate replacement.
- Cable type: H05 RRF 3 core x 1.5 mm³

Connecting the mains supply cable



IMPORTANT

The wires in the mains lead are coloured in accordance with the following code:

GREEN AND YELLOW
BLUE
BROWN

EARTH
NEUTRAL
LIVE

- Open the mains terminal block cover as shown, unscrew the cable clamp **(A)** and unscrew (not fully) the screws in the mains terminal block (L, N, E) which secure the three wires of the mains cable.
- Fit the cable and refit the cable clamp **(A)**.
- Allow sufficient cable length for the cooker to be pulled out for cleaning, but do not let it hang closer than 50mm to the floor.
- The cable can be looped if necessary, but make sure that is not kinked or trapped when the cooker is in position.

Replacing the mains supply cable

If the mains supply cable is damaged, then it must be replaced by an appropriate replacement.

The mains supply cable should be replaced in accordance with the following instructions:

- **Switch the appliance off at the control switch.**
- Open the box of the supply board.
- Unscrew the clamp **(A)** fixing the cable.
- Replace the cable with one of the same length and in accordance with the specification given above.
- The "green-yellow" earth wire must be connected to the terminal marked \perp . It must be about 10 mm longer than the live and neutral wires.

- The “blue” neutral wire must be connected to the terminal marked with letter (N) - the live wire must be connected to the terminal marked with letter (L).

My appliance isn't working correctly

The gas oven burner or grill burner do not light.

- * Check that the oven is switched on at your mains supply.
- * Check that the fuse in the spur outlet doesn't need replacing.
- * Check that there is not a problem with your gas supply

Food is cooking too quickly or too slowly.

- * Check that you are cooking at an appropriate temperature and shelf level.

The oven is not cooking evenly.

- * Check that the oven is installed correctly.
- * Check that you are cooking at an appropriate temperature and shelf level.

The oven light is not working

- * Refer to page 23 and follow the “Replacing the oven bulb” section.

I am getting condensation in my oven

- * Steam and condensation is a natural by product of cooking any food with high water content, such as frozen food, chicken etc.
- * You may get condensation in the oven cavity and forming between the oven door glasses. This is not necessarily a sign that the oven is not working correctly.
- * Do not leave food in the oven to cool after it has been cooked and the oven has been switched off.
- * Use a covered container, where practical, when cooking to reduce the amount of condensation that forms.

My appliance isn't working correctly



IMPORTANT: If your appliance appears not to be operating correctly, then you should disconnect it from your mains supply and then contact Baumatic Customer Care on telephone number (0118) 933 6911.

DO NOT ATTEMPT TO REPAIR THE APPLIANCE YOURSELF.

Please note that if an engineer is asked to attend whilst the product is under guarantee and finds that the problem is not the result of an appliance fault, then you may be liable for the cost of the call out charge.

The appliance must be accessible for the engineer to perform any necessary repair. If your appliance is installed in such a way that an engineer is concerned that damage will be caused to the appliance or your kitchen, then he will not complete a repair.

This includes situations where appliances have been tiled in, sealed in with sealant, have wooden obstructions placed in front of the appliance, like plinths. Or any installation other than the one specified by Baumatic Ltd. has been completed.

Please refer to the conditions of guarantee that appear on the warranty card that you receive with the appliance.

**United Kingdom**

Baumatic Ltd.,
Baumatic Buildings,
6 Bennet Road,
Reading, Berkshire
RG2 0QX
United Kingdom

Sales Telephone

(0118) 933 6900

Sales Fax

(0118) 931 0035

Customer Care Telephone

(0118) 933 6911

Customer Care Fax

(0118) 986 9124

Spares Telephone

(01235) 437244

Advice Line Telephone

(0118) 933 6933

E-mail:

sales@baumatic.co.uk
customercare@baumatic.co.uk
spares@baumatic.co.uk
technical@baumatic.co.uk

Website:

www.baumatic.co.uk

Republic of Ireland**Service Telephone**

1-890 812 724

Spares Telephone

091 756 771

Czech Republic

Baumatic CR spol s.r.o.
Průmyslová zóna Sever 696
460 11 Liberec 11
Czech Republic

+420 483 577 200

www.baumatic.cz

Slovakia

Baumatic Slovakia, s.r.o.
Galvániho 7/D
Slovakia

+421 255 640 618

Germany

Baumatic Gmbh
Lilienthalstrasse 1
320 52 Herford
Deutschland

+49 5221 694 99-0

www.baumatic.de

Italy

Baumatic Italia S.R.L.
Via Galvani N.3
35011 Campodarsego (PD)

+3904 9920 2297

www.baumatic.it

Holland

Baumatic Benelux B.V.
Grindzuigerstraat 22
1333 MS ALMERE
Nederland

+3136 549 1555

www.baumatic.nl

